



**Contract 3058Q**

**ROOF REHABILITATION – STEVESTON MARTIAL ARTS CENTRE**

Bidders are invited to respond to this call for Quotations on the terms contained herein.

Name of Bidder: \_\_\_\_\_

Address: \_\_\_\_\_

City: \_\_\_\_\_

Province: \_\_\_\_\_ Postal Code: \_\_\_\_\_

Telephone No: \_\_\_\_\_ Fax No.: \_\_\_\_\_

E-mail: \_\_\_\_\_

Contact Person: \_\_\_\_\_

Title: \_\_\_\_\_

### Table of Contents

Cover Page .....	1
Table of Contents .....	2
Invitation to Quote .....	3
Instructions to Bidders .....	4 - 6
Quotation Form, including:.....	7 - 9
Appendix A: Undertaking of Liability Insurance .....	10
Appendix B: List of Previous Contracts .....	11
Appendix C: List of Subcontractors .....	12
Appendix D: List of Equipment.....	13
List of Drawings .....	14
Specifications .....	S1 - S44
Environmental Terms and Conditions of Contract .....	E1 - E2
General Conditions of the Contract .....	GC1 – GC11
Notice of No Bid	

**NOTICE TO ROOFING CONTRACTORS  
INVITATION TO QUOTE**

The City of Richmond invites Quotations for the following roof rehabilitation project:

**For the: STEVESTON MARTIAL ARTS CENTRE  
4251 Moncton Street, RICHMOND, BC**

***The Scope of Work includes, but is not limited to, the following:***

1. Roof Areas # 1, 2, 3, 4, 5 & # 6 (approximately 107 (+/-) cedar shake & 6 (+/-) modified bitumen squares)
  - .1 Remove and dispose of roofs and related flashings.
  - .2 Install modified bitumen underlayment, 24” hand-split and re-sawn, treated shakes and related flashings and two plies modified bitumen in two valleys.
2. The Work is expected to start immediately upon access to the structure, Owner’s approval and weather permitting.

***Pre-Quote Site Meeting:***

1. ***Date:*** THURSDAY, JUNE 7, 2007 @ 9:00 O’CLOCK A.M.
2. ***Location:*** 4251 Moncton Street, Richmond, BC
3. The City of Richmond strongly encourages all potential Bidders to attend this tour (sign-in attendance). No other tours will be organized or arranged for this project.

***Bidding Documents:***

Bidding documents will be distributed via e-mail to those Contractors whom e-mail confirmation of Bid as indicated in the Confirmation Receipt provided below.

***For information contact:***

- Technical: ROOF TECH 2000 CONSULTANTS LTD., Mr. Jud Jansen, Phone: 604-888-7663, Cel: 604-230-7663, Fax: 604-882-7663, E-mail: [rooftech2000@telus.net](mailto:rooftech2000@telus.net).
- Purchasing: Daianna Panni, Acting Buyer II, Purchasing Section, City of Richmond, Phone: 604-276-4270, E-mail: [purchasing@richmond.ca](mailto:purchasing@richmond.ca).

***Submission of Quote:***

1. Sealed quotations, plainly marked on the envelope, ‘CONTRACT 3058Q – ROOF REHABILITATION – STEVESTON MARTIAL ARTS CENTRE’, will be received at the Information Center, Main Floor, Richmond City Hall, addressed to the Purchasing Section, 6911 No. 3 Road, Richmond, BC V6Y 2C1 until **12:00 NOON LOCAL TIME MONDAY, JUNE 18, 2007.**
2. Time verification to be by the clock in the Information Centre, Main Floor, Richmond City Hall.
3. Quotations received after the above mentioned time and date will be returned unopened.
4. The lowest Quote, or any Quote, will not necessarily be accepted.
5. For further instructions / requirements refer to ‘Instructions to Bidders’, Contract 3058Q Document.

PLEASE CONFIRM RECEIPT OF THIS NOTICE VIA E-Mail to the attention of Daianna Panni, ‘[purchasing@richmond.ca](mailto:purchasing@richmond.ca)’.

We will bid this project:      Yes \_\_\_ No \_\_\_

\_\_\_\_\_  
Name of Company (PRINT)

\_\_\_\_\_  
Company Representative

\_\_\_\_\_  
E-mail address re distribution of Contract 3058Q

### **Instructions to Bidders**

1. Sealed quotations, plainly marked on the envelope:

**CONTRACT 3058Q – ROOF REHABILITATION – STEVESTON MARTIAL ARTS  
CENTRE**

will be received at the Information Counter, Main Floor, Richmond City Hall, addressed to the Purchasing Section, 6911 No. 3 Road, Richmond, BC, V6Y 2C1, until 12:00 noon, Local time:

Monday, June 18, 2007

2. Quotations received in the office of the Purchasing Section after the above-mentioned time and date will be returned unopened.
3. Quotations must be submitted on the attached Forms and be authorized by a signing officer of the Bidder's company. The entire Request for Quotation must be returned to the City.
4. This Document with completed Forms will become part of the Contract Documents between the City and the successful Bidder.
5. The City reserves the right to accept all or any part of a quotation or to waive irregularities at their own discretion. The lowest or any quotation will not necessarily be accepted.
6. In accordance with the City's Procurement Policy 3104, award of bids shall be based on:
  - (i) The lowest total cost of acquisition,
  - (ii) Experience of the bidder,
  - (iii) Bidder's references of performance on previous similar contracts,
  - (iv) The bidder's financial resources,
  - (v) Bidder's capability of supervision, staffing and use of subcontractors,
  - (vi) Bidder's ability to meet City specifications and performance criteria,
  - (vii) Any additional evaluation criteria stated in the contract document.
7. Proprietary names, unless otherwise stated, are used solely to establish standards of materials and finish. Items of other manufacture may be accepted as equal to those specified, at the discretion of the City.
8. The City of Richmond estimates that this contract will be awarded within 4 weeks of the closing date. All bidders submitting Quotations for the Project will be advised as to the outcome. Please note that Bid results for those contracts posted on the City Web Site and/or BC Bid will be listed on BC Bid within two (2) weeks of the award of Contract.

9. Prices, in Canadian currency, shall be shown for the work specified and shall include all wages and benefits for those personnel engaged on this contract, expenditures for materials, equipment, travel expenses, assessments for Workers' Compensation, Unemployment Insurance, Canada Pension Plan or any similar statute, costs of subcontracts, insurance premiums, bonds, royalties, permits and licences, taxes, tariffs and duties, overhead, profit, and all other expenditures in connection with the work.

10. The contractor will be required to Indemnify and Insure the City as shown in the General Conditions of the Contract.

Bidders shall have the Undertaking of Liability Insurance Form Letter L1-1 (attached) completed and submitted with their Quotation.

All policies and certificates shall be submitted to the Purchasing Section before a contract is issued to carry out the work.

11. Bidders shall examine the contract documents and visit the site of the work to understand the contract requirements of the project. The City will not make allowances for the contractor's failure to make proper site investigation.

12. **Note:** There will be a site visit conducted on Thursday, June 7, 2007, at 9:00 am with sign-in attendance forms. Potential Bidders are asked to meet at the site, 4251 Moncton Street, in the City of Richmond. The City **strongly encourages** all potential Bidders to attend this tour. No other tours will be organised or arranged for this project.

13. Each Bidder shall state on the lists provided to be submitted as part of his quotation, information regarding their previous contracts, subcontractors and equipment that he proposes to use to carry out this contract to completion. It is the intention of the City not to award the contract to any Bidder who does not furnish satisfactory evidence that he has the ability and experience to perform the various works covered under this Contract, and that he has sufficient capital and plant to enable him to execute the said works successfully, and to the satisfaction of the City, and to complete and deliver said works as quoted in his Quotation.

14. Inquires during submission of Quotation should be directed as follows:

Purchasing

Daianna Panni  
Acting Buyer II  
Purchasing Section  
City of Richmond

Telephone: 604- 276-4270  
E-mail: purchasing@richmond.ca

Technical

J.P. Jansen, RRO

Roof Tech 2000 Consultants Ltd.

Telephone: 604- 888-7663

E-mail: [rooftech2000@telus.net](mailto:rooftech2000@telus.net)

Cell: 604-230-7663

15. Quotations may be withdrawn by written notice only, provided such notice is received at the office of the City's Purchasing Section prior to the time / date set as the closing time for receiving Quotations.
16. Quotations shall be open for acceptance for 60 days following the submission closing date.
17. Bidders are advised that submissions of quotes shall be in compliance to the Freedom of Information and Privacy Act.
18. Any interpretation of, additions to, deletions from, or any other corrections to the Contract documents, will be issued as written addenda by the City of Richmond. It is the sole responsibility of the potential bidders to check with the City of Richmond's Website and/or BC Bid to ensure that all available information has been received prior to submitting a bid.
19. The City, it's agents and employer shall not be responsible for any information given by way of verbal communication.
20. Bidders should include in the Quotation Price a sufficient amount to cover the entire cost of the Work including all necessary labour, plant, equipment, tools and materials required to complete the Work in accordance with the Contract Documents. The Quotation Price should also include a sufficient amount for all applicable duties, taxes, charges, overhead and all profit.
21. Quotations which may contain qualifying conditions, or which otherwise do not confirm with the requirements of the Contract Documents may be rejected by the City.

**Quotation Form**

Re: Contract 3058Q  
Request for Quotation Roof Rehabilitation – STEVESTON MARTIAL ARTS CENTRE

Manager - Purchasing & Risk  
City of Richmond  
6911 No. 3 Road  
Richmond, B.C. V6Y 2C1

1. I/We, the undersigned:
  - 1.1 have carefully read and examined all of the Contract Documents, including the General Conditions, Specifications, Drawings and Addenda # \_\_\_\_\_ (list);
  - 1.2 have carefully examined all conditions at the place of the Work, including as appropriate and without limitation, the nature of the ground and sub-soil and the means of access;
  - 1.3 have full knowledge of the Work required and of the materials to be furnished and used;
  - 1.4 have complied with the Instructions; and
2. Accordingly, I/we hereby offer:
  - 2.1 to perform and complete the all of the Work and provide all necessary labour, plant, equipment, tools and materials, as set forth and in strict accordance with the Contract Documents, and on the terms set out in the Contract Documents;
  - 2.2 for the Price of:

OFFER 1 STEVESTON MARTIAL ARTS CENTRE

**RE-ROOF AREAS # 1, 2, 3, 4, 5 & # 6** ..... \$ \_\_\_\_\_  
State separate price for G.S.T. .... \$ \_\_\_\_\_  
Total ..... \$ \_\_\_\_\_

\_\_\_\_\_  
TOTAL written in lawful money of Canada DOLLARS

and

2. 2.2 for the Price: (continued)

**OFFER 2 STEVESTON MARTIAL ARTS CENTRE**

**NOTICE TO CONTRACTORS:**

Not necessarily all Contractors quoting will be members of the Roofing Contractors Association of BC (RCABC), therefore we request RCABC member Contractors to submit a separate price to include to provide a five (5) year RCABC Guarantee, excluding Re-inspections and excluding Roof Inspection costs.

**STATE SEPARATE PRICE FOR RCABC**

**GUARANTEE** ..... \$ \_\_\_\_\_

State separate price for G.S.T. .... \$ \_\_\_\_\_

Total ..... \$ \_\_\_\_\_

---

TOTAL written in lawful money of Canada DOLLARS

2.3 to provide the following Separate Price:

**TO INSTALL NEW FASCIA BOARDS**

**AT ALL EAVES** ..... \$ \_\_\_\_\_

State separate price for G.S.T. .... \$ \_\_\_\_\_

Total ..... \$ \_\_\_\_\_

---

TOTAL written in lawful money of Canada DOLLARS

2.4 to provide the following Hourly Rates, including all costs, overhead and profit for Extras if necessary:

.1 **FOREMAN** ..... \$ \_\_\_\_\_ plus G.S.T.

.2 **JOURNEYMAN** ..... \$ \_\_\_\_\_ plus G.S.T.

.3 **APPRENTICE** ..... \$ \_\_\_\_\_ plus G.S.T.

.4 **SKILLED LABOURER** ... \$ \_\_\_\_\_ plus G.S.T.



2.5 to provide material mark-up for Extras, if necessary, as follows:

**COST PLUS \_\_\_\_\_% OVERHEAD, PLUS \_\_\_\_\_% PROFIT.**

2.6 to achieve **SUBSTANTIAL PERFORMANCE OF THE WORK** within \_\_\_\_\_ (insert completion time in weeks following award of the Contract).

3. I/We confirm that the Quotation Price includes all applicable duties, taxes, and handling charges incidental to the Work.

I/We confirm that the following appendices are attached to and form part of this Quotation:

Appendix A: Undertaking Of Liability Insurance;

Appendix B: List of Previous Contracts;

Appendix C: List of Subcontractors;

Appendix D: List of Equipment;

4. I/We confirm that this Quotation will be open for acceptance for a period of 60 calendar days from the day the day following the Closing Date. If within this period the City delivers a written notice by which the City accepts my/our Quotation (“Notice of Award”) and a purchase order for the goods and/or services specified in my/our Quotation (“Purchase Order”), then such offer and acceptance will create a Contract as described in the Contract Documents and I/we will, within 14 days of receipt of the Notice of Award and Purchase Order, deliver to the City certified copies of all insurance policies and certificates required and specified in the Contract Documents.

5. I/We agree that, if we receive a Notice of Award and Purchase Order, and fail to deliver the insurance policies and certificates as required by paragraph 5 of this Form of Quotation, then such failure shall be deemed to be a failure to enter into the Contract, and the City may award the Contract to another party.

Dated this \_\_\_\_ day of \_\_\_\_\_ 20\_\_\_\_

**Bidder:**

\_\_\_\_\_  
Full legal name of Corporation, Partnership or Individual

\_\_\_\_\_  
Authorized Signatory

**Appendix A: Undertaking of Liability Insurance**

(To be submitted with Quotation)

City of Richmond  
6911 No. 3 Road  
Richmond, BC V6Y 2C1

Dear Sirs:

We, the undersigned (insert insurance company's name) \_\_\_\_\_ do hereby undertake and agree to insure the Contractor in the amount of \$5,000,000.00 as outlined in the attached "General Conditions of the Contract" and agree to:

- a. Name the City of Richmond, its officers, officials, agents, and employees as additional insured in connection with the work being proposed by the Contractor.
- b. State that such policy applies to each insured in the same manner and to the same extent as if separate policy had been issued to each insured named in the policy.
- c. State that the policy cannot be cancelled, lapsed, or materially changed without at least 30 days written notice of cancellation delivered to the City Clerk of the City of Richmond at 6911 No. 3 Road, Richmond, BC V6Y 2C1.
- d. State that coverage provided by such insurance shall protect the Contractor and the City of Richmond during the performance of the works and services specified in the attached Form of Quotation and specifically that the insurance required by such Quotation shall be consistent with the requirements therein.

if the Contract is awarded to (insert bidder's name) \_\_\_\_\_

EXCEPTIONS:

---

Dated at \_\_\_\_\_, British Columbia, this \_\_\_\_ day of \_\_\_\_\_, 2007.

BY: \_\_\_\_\_ TITLE: \_\_\_\_\_

This form must be signed by the Insurance Company or an authorized Broker on behalf of the Insurance Company.

A SEPARATE FORM MUST BE SIGNED FOR EACH POLICY IF MORE THAN ONE POLICY.

**Appendix B: List of Previous Contracts**

The Bidder has recently undertaken and completed the contracts described below and authorizes the City of Richmond to inquire as to the nature of the Bidder’s performance on these contracts.

YEAR	PROJECT TITLE	OWNER PHONE # CONTACT	SCOPE	BUDGET		SCHEDULE		ROLE OF KEY STAFF MEMBERS	OTHER RELEVANT INFO
				Original	Actual	Proposed	Actual		

(If additional space is required, attach additional)

**Appendix C: List of Subcontractors**

The Bidder agrees that the subcontractors shown herein is the list of subcontractors that he proposes to use to carry out those part of the work shown on the list and, subject to their approval by the City, the Bidder agrees to so employ the listed subcontractors and no others in their stead.

Description of Parts of Work to be Sublet to Subcontractors	Name, Address, and Telephone Number of Subcontractor(s) to be Used to Carry Out the Various Parts of the Work Described

(If additional space is required, attach additional)

**Appendix D: List of Equipment**

The Bidder proposes to use the equipment listed below in carrying out the Work (list only the major pieces of equipment to be used):

<b>Number of Units</b>	<b>Brief Description of Equipment (state its use, make, age, and general condition)</b>	<b>Check Whether: Owned by Bidder      Rented/ Leased</b>

(If additional space is required, attach additional)

**List of Drawings**

<b>Drawing No.</b>	<b>Sheet No.</b>	<b>Title</b>
*		

(If additional space is required, attach additional)

\*See Roof Tech 2000 Consultants Ltd. Specifications (this document) Table of Contents, Page 1

## 1.0 TABLE OF CONTENTS

Page Number

1.0	TABLE OF CONTENTS.....	S1
2.0	MODIFIED BITUMEN ROOFING: — SAFETY CONDITIONS AND SAFETY MEASURES.....	S2, S3
3.0	MODIFIED BITUMEN ROOFING: — SAFETY PRECAUTIONS.....	S4 – S16
4.0	MODIFIED BITUMEN ROOFING / WESTERN RED CEDAR SHAKES / FLASHING: — SCOPE OF WORK.....	S17 – S18
5.0	MODIFIED BITUMEN ROOFING / WESTERN RED CEDAR SHAKES / FLASHING: — PROCEDURES AND INSTRUCTIONS FOR ROOF SYSTEM RELATED WORK.....	S19 – S26
6.0	MODIFIED BITUMEN ROOFING: — PROCEDURES AND INSTRUCTIONS FOR: ROOF SYSTEM COMPONENTS.....	S27
7.0	MODIFIED BITUMEN ROOFING: — MATERIALS.....	S28 – S29
8.0	WESTERN RED CEDAR SHAKES — PROJECT INSTRUCTIONS & MATERIALS.....	S30 – S35
9.0	TYPICAL DETAILS.....	S36 – S38
10.0	STEVESTON MARTIAL ARTS CENTRE AERIAL PHOTO.....	S39
	ROOF AREAS WITH SLOPE LAYOUTS.....	S40
	DETAILS.....	S41 – S44

COMPLETED SPECIFICATION 44 PAGES

## **2.0 MODIFIED BITUMEN ROOFING SAFETY CONDITIONS AND SAFETY MEASURES**

### **1.1 SAFETY CONDITIONS**

- 1) Contractors are required to maintain a **TWO (2) HOUR MINIMUM FIRE WATCH** at the end of each working day, after open flame roofing application methods have been utilized. All roof areas worked shall be checked for hot spots and signs of smouldering.
- 2) Caution should be taken when working around roof openings, penetrations or flashing. Extreme caution should be exercised when working around exhaust vents that may have grease or lint accumulations. Such accumulations should be cleaned before roofing work is started.
- 3) Torches should be used according to manufacturers' instructions. Torch stands should be used to direct flame upward when momentarily not in use. Torches should not be used near gas lines, electrical wires or flammable liquids. All equipment should be inspected regularly and kept in good working order.
- 4) Contractor should have adequate fire extinguishing equipment. A minimum of five 20-lb. multi-purpose dry chemical extinguishers is suggested. There should be at least one fire extinguisher within 20 ft. horizontal travel distance of any torch-applied roofing equipment. For larger roof areas, additional protection such as charged hose lines or additional extinguishers may be required. (Contractor should be made aware of the location of fire hoses if they are available. Outside faucets from "domestic" water supply may also be useful.)
- 5) Contractor should either have a phone or be aware of the location of the nearest public phone. Contractor should be aware of local emergency phone numbers. For larger roofing jobs it may be worthwhile to notify the local Fire Department in advance of the scope and time frame of the proposed work. Any fires, even if extinguished, should be reported to the Fire Department.
- 6) **No propane or combustibile liquids** are to be left on site and/or any roof areas after roofing crews vacated the work site at the end of the day.
- 7) **All equipment** used for roofing applications must be either removed from the work site at the end of working shifts or the equipment must be secured and rendered immovable and inaccessible, "as is reasonable" to vandals.
- 8) The site is to be secured using all barricades, and/or other materials as are necessary to enclose and isolate the site.
- 9) **In all modified bituminous membrane roofing applications, a "PEEL and STICK" membrane must be used as the first ply stripping on all combustibile wall surface areas where fire damage may occur.**
- 10) All other normal site safety concerns, that are either stated elsewhere within this specification, and/or are required and/or implied by others, are to form part of the safety requirements.



## 2.0 MODIFIED BITUMEN ROOFING (CONTINUED)

## SAFETY CONDITIONS AND SAFETY MEASURES (CONTINUED)

### 1.2 SAFETY MEASURES

#### Construction Safety

1. .1 Observe and enforce construction safety measures required by Part 8 of NBC 1990, Provincial Government, Workers' Compensation Board of B.C. and municipal statutes and authorities.
- .2 In event of conflict between any provisions of above authorities the most stringent provision will apply.
- .3 Ensure no part of work is subjected to a load which will endanger its safety or will cause permanent deformation.

#### Fire Safety

2. .1 Comply with all Provincial and local Fire Safety Regulations. The section 5.0.1 Safety Precautions – Torching published in the Roofing Contractors Association of B.C. "Roofing Practices Manual" form part of this Specification.

#### WHMIS Requirements

3. .1 The Contractor shall comply fully with all WHMIS (Workplace Hazardous Materials Information System) requirements. In addition, provide to the Owner, prior to commencement of the work, one complete set of current MSDS (Material Safety Data Sheets) for all materials to be used on this job site.

### 3.0 MODIFIED BITUMEN ROOFING

### SAFETY PRECAUTIONS

1. Modified bitumen roofing membranes represent the latest in the evolution of bituminous roofing systems. However, some systems require that applicators use a propane-fueled open flame torch to adhere the membrane. When working with an open flame on the construction site, applicators must use extreme caution to prevent accidents. Carelessness could lead to loss of property or life.

Torching

This section contains precautions for applying modified bitumen roofing. The applicator will find proper procedures for working with equipment of the jobsite, and dealing with personnel.

NOTE: If a fire occurs for any reason, call the Fire Department immediately, even if you put out the flames. Some material may smoulder for hours before bursting into flames, and could be smouldering in places where the layman may not think to look. Let the fire fighters do their job. Safety is no accident.

2. .1 Applicators use an open flame to soften the bitumen of the underside of the membrane to make it adhere to the roofing substrate. At a temperature of 1100°C (2000°F), the flame produced by liquid propane gas does an excellent melting job. But used incorrectly or carelessly, the flame could damage the roof or the buildings and seriously injure the applicator.

EQUIPMENT

Applicators should receive training in proper application, maintenance and safety procedures when handling torching equipment.

Operators should handle their equipment carefully. Protect the soft brass valve of the gas cylinder. It is easy to crack or break it. A broken valve could turn the cylinder into a torpedo. Check all cylinders before refilling.

### 3.0 MODIFIED BITUMEN ROOFING (CONTINUED)

### SAFETY PRECAUTIONS (CONTINUED)

2. 1. (Continued)  
Never overfill a cylinder. It could explode.  
All applicators of modified bitumen should participate in the safety and training program.
  
2. .2
  - a) Use well-built durable products that feature safety devices and are listed by Underwriters Laboratories of Canada (ULC).
  - b) Follow the Manufacturer's safety and operating instructions provided with the torch system.
  - c) Check all equipment for wear. Repair and/or replace as necessary.
  - d) Use soap solution to test for gas leaks before lighting, then check for the proper operation of the torch.
  - e) Check all fittings and other equipment on the applications equipment for leakage.
  - f) Be sure that torch equipment is in good working order and that the cylinder valves are clean.
  - g) Stop work and shut off flame if propane odour is detected.
  - h) Stop work and make repairs if a leak occurs.
  - i) Keep non-applicators at least 3 m (10') from the flame.
  - j) Protect your equipment: store it in a tool box.

General

**3.0 MODIFIED BITUMEN ROOFING  
(CONTINUED)**

**SAFETY PRECAUTIONS  
(CONTINUED)**

2. .2 k) Do not use matches or cigarette lighter to test for gas leaks.
- l) Containers which hold or may have held flammable material must be kept clear of the torch or other heat sources.
- m) Do not use equipment that has been damaged or that is in need of repair.
2. .3 a) Protect cylinder valves; where possible use cylinders that have valve protection welded to the cylinder.
- b) Propane tanks are pressurized – do not puncture or subject to extreme heat.
- c) Secure propane tanks in an upright position and place them at least 3 m (10') from the open flame.
- d) Increase the size of the bottle or cylinder to keep frosting from occurring.
- e) Close the propane cylinder valve first and let the remaining gas burn out of the hose before closing the torch valve when shutting off the torch.
- f) Plug the valve with a plastic plug when cylinder is not in use.
- g) Do not turn a vapour cylinder on its side to increase pressure – liquid could escape.

General  
(Continued)

Tanks

**3.0 MODIFIED BITUMEN ROOFING  
(CONTINUED)**

**SAFETY PRECAUTIONS  
(CONTINUED)**

2. .3 h) Do not heat a cylinder to increase pressure.
- i) Do not fill gas cylinder or bottle in need of repair.
- j) Do not tighten the brass fittings too tightly with a wrench.

Tanks  
(Continued)

2. .4 a) Use an adjustable ULC listed regulator with the torch.
- b) Make sure flow of gas through the regulator is in the proper direction. Directional flow is stamped on regulator.
- c) Keep vent in pressure regulator clear at all times.
- d) Use a pressure gauge on every regulator.
- e) Do not use an adjustable regulator with a higher pressure range than the one that came with the torch.
- f) Do not operate any pressure gauge beyond the top of its scale or near excessive heat (above 65 Celsius) or where there is excessive vibration.
- g) Do not use equipment without an operating pressure gauge.

Regulators

2. .5 a) Check hoses for wear and tear.
- b) Use only hoses listed for liquid propane gas.

Hoses

### 3.0 MODIFIED BITUMEN ROOFING (CONTINUED)

### SAFETY PRECAUTIONS (CONTINUED)

2. .5 c) Use less than 15 m (50') of hose at one time.
2. .6 a) Use an adjustable pilot light with a complete shut-off.
- b) Use a torch stand to direct flame upward when not in use.
- c) Use only torch machines equipped with the same safety features as described for torches. They should also have individually adjustable torches. Use only torch trolleys and multiple head machines with approved safety valves.
- d) Ignite burner with a flint or electronic lighter. Matches or disposable lighters are unsafe substitutes.
- e) Treat the torch as if it is always burning. On bright days it is very hard to see the flame, and when working around mechanical equipment, it is impossible to hear the torch operating.
- f) Be very careful when working with torches in areas where you cannot see. Pull material away, heat it, and then apply it to the flashing.
- g) Do not leave lighted torch unattended.
- h) Do not lay an operating torch over the edge of a roof.

Hoses (Continued)

Torches

### 3.0 MODIFIED BITUMEN ROOFING (CONTINUED)

### SAFETY PRECAUTIONS (CONTINUED)

2. .6 i) Do not use a trowel as a torch stand.
- j) Do not lay an operating torch to rest on a gas cylinder. If there is a gas leak in the cylinder area, there could be a fire.
- k) Do not play with a torch. A flame can be hard to see on a bright day and can ignite skin or clothing instantly.
2. .7 a) Have at least one Class ABC fire extinguisher within 6 m (20') of each worker using the torch.
- b) Train each worker in the proper use of the fire extinguishers.
- c) Direct the stream from a dry chemical-type fire extinguisher at the base of the fire from a distance of at least 3 m (10'). Sweep the fire away from you, starting at its nearest point and moving the chemical stream toward the farthest point.
- d) Do not try to put out a cylinder fire if it cannot be done without tipping the cylinder. Let it burn and call the Fire Department.
- e) Do not place fire extinguisher too close to liquid propane gas equipment. If fire results, you may not be able to get at fire extinguisher to put out the fire.

Torches (Continued)

Extinguishers

### 3.0 MODIFIED BITUMEN ROOFING (CONTINUED)

### SAFETY PRECAUTIONS (CONTINUED)

2. .7 (Continued)  
**WHEN IN DOUBT – CHECK IT OUT.  
IF STILL IN DOUBT – DON’T USE IT.**

Extinguishers  
(Continued)

2. .8 Each building is different from every other building, and each roof design presents a new set of challenges to the Roofing Contractor. The applicator of modified bitumen systems must adapt his standard safety procedures to meet the special requirements of the current job. However, roofers should follow the basic rules presented in these pages.

BUILDINGS

The job supervisor should take extra care when working on the modified bitumen roofing job. The supervisor should walk the job one hour after all torches have been extinguished. The delay will help guard against a smouldering fire going undetected at the end of the work day. Check for potential “hot spots” – especially cants, wall flashings, and around penetrations such as vent pipes, intake vents and skylights.

Applicators must take special care when torching at flashings, corners, or voids in the roof deck. Never torch directly at these locations. Always torch the membrane and then adhere it to the corner or joint.

2. .9 a) Install metal flashing on penetrations or flashings with a tight fitting felt collar before torching.
- b) Shut down air conditioning units, exhaust fans and air intake fans in the work area at the roof control.
- c) Do not work in an enclosed area where gas can accumulate.

General



### 3.0 MODIFIED BITUMEN ROOFING (CONTINUED)

### SAFETY PRECAUTIONS (CONTINUED)

2. .10 a) Use perlite, fiberglass, or concrete cant strips if cant strips are required.
- b) Use glass or organic base sheet on all wood decks and over flammable insulation, cant strips or other flammable surfaces.
- c) Look for any void, hole or gap in substrate and fill with non-combustible or perlite cant strip.
- d) Use a base ply over all flammable insulation surfaces and edges and over all joints between rigid insulation boards. The base ply provides a protective covering for underlying combustibles.
- e) Install a base ply or a layer of roof insulation, acceptable to the membrane manufacturer, to separate polyurethane or polyisocyanurate roof insulation from the modified sheet and the torch.
- .10 f) Install a base ply over all flammable surfaces and rigid board insulations. Be sure base ply fits tightly around all roof deck openings and turns up the wall, so the flame cannot flash down and start a fire underneath the deck.
- g) Do not torch to wood fiber insulation, cant strip, wood or any flammable material.
- Substrates

### **3.0 MODIFIED BITUMEN ROOFING (CONTINUED)**

### **SAFETY PRECAUTIONS (CONTINUED)**

2. .11 a) Follow the Manufacturer's recommendations on torching to insulation and recover board surface.
- b) Use a small torch when flashing near details.
- c) Shield air conditioning units and other protrusions with perlite panels or similar material when using the torch around them.
- d) Heat the membrane away from air conditioning units, fans, soil pipes and all other protrusions. Care must be taken to avoid flame being pulled into the building interior.
- e) Feather seams around details with hot trowel, not open flame.
- f) Heat membrane and then attach to flashings, corners, or voids in the roof deck. Never torch directly.
- g) Use caution when torching near pipes in the event there is suction present.
- h) Do not torch anything you cannot see such as under air conditioning units or behind counter flashing.
- i) Do not torch near gas lines or near electric wires (such as around roof top equipment, etc.).
- j) Do not torch around flammable vents or plastic projections.

#### Torching Methods

### 3.0 MODIFIED BITUMEN ROOFING (CONTINUED)

### SAFETY PRECAUTIONS (CONTINUED)

2. .11 k) Do not point the torch under roof top equipment.
- l) Do not point the torch down open roof penetrations.
- m) Do not point the torch into corners or roof edges where dried wood or fiber may ignite (such as wood blocking or cant strip).
- n) Do not point the torch at low flashings where there is an overhang and flame could get up under the counter flashing, such as around skylights or prefabricated curbs with fiberboard sidewall insulation.
- o) Do not apply modified bitumen products directly over exposed conduits or pipes lying on the roof deck.
- p) Avoid prolonged contact with heat sensitive metals such as lead, as overheating of these metals could ignite underlying flammable services.
- q) Do not lay an operating torch directly onto the membranes – there is danger both of fire and of damaging the membrane.
- r) Do not lay an operating torch on an open penetration on the roof. If the penetration is part of an air intake system, the flames could be sucked into the building.

Torching Methods  
(Continued)

### 3.0 MODIFIED BITUMEN ROOFING (CONTINUED)

### SAFETY PRECAUTIONS (CONTINUED)

2. .12 Many construction-industry tradesmen use open flames or flame tools in their jobs. Heating and air conditioning Contractors, welders and plumbers all use open flame at the job site. These professionals are responsible for the safe use of their tools, just as the Roofing Contractor is responsible for the safe application of the modified bitumen roofing systems.

#### PERSONNEL

Contractors must not only train their own men in using open flame application, but must also make sure the General Contractor and his superintendents are familiar with the necessary safety precautions for using torch application of roofing membrane.

Some of the safety precautions will be considered unpleasant, such as wearing long-sleeve shirts and long pants in the summer, but the results, - a safe, injury-free job site – are worth the effort.

2. .13 a) Wear proper clothing: non-synthetic fabrics, long-sleeve shirt, long pants, boots, gloves and proper eye protection.
- b) Keep non-applicators at least 3 m (10') from open flame.
- c) Train, instruct, and warn employees on the use or torching equipment.

#### General

**3.0 MODIFIED BITUMEN ROOFING  
(CONTINUED)**

**SAFETY PRECAUTIONS  
(CONTINUED)**

2. .13 d) Use extra caution around edges of insulation board. Cover exposed edges with inflammable base ply to prevent flame from coming in contact with any flammable material. Contact for any length of time with lead or other materials affected by heat should be avoided.

General  
(Continued)

e) Do not take anything for granted. Be on guard against lapses in on-

2. .14 For years Fire Departments have been learning the proper safety precautions necessary to prevent fires. Their expertise and assistance should be utilized whenever possible to supplement a company's safety training program. By making the local fire department a part of your team, you are giving notice that in all cases Safety Comes First.

FIRE DEPARTMENT

2. .15 a) Strict compliance with local fire codes must be maintained.

Fire Department Recommendations

b) Give written notice to the local Fire Department where required, and obtain any necessary permits.

c) The required number of fire extinguishers shall be on the roof at all times. They shall be Class ABC extinguishers of the size specified by the local fire code; one per each torch operator.

d) Install portable smoke detectors in attics as required by the local Fire Department.

**3.0 MODIFIED BITUMEN ROOFING  
(CONTINUED)**

2. .15 e) Foremen on the job shall have fire safety training and shall remain at job site at least one hour after the application has ended for the day.
- f) No flammable liquids shall be stored or used on the roof excluding liquid propane gas in approved containers. All liquid propane gas not in use shall be stored on the ground.

**SAFETY PRECAUTIONS  
(CONTINUED)**

Fire Department Recommendations  
(Continued)

REPORT ALL FIRES TO THE FIRE DEPARTMENT, EVEN THOSE THAT ARE EXTINGUISHED QUICKLY. THERE MAY STILL BE FIRE AND/OR SMOULDERING IN AREAS WHERE A LAYMAN MAY NOT THINK TO LOOK.

**4.0 MODIFIED BITUMEN ROOFING /  
WESTERN RED CEDAR SHAKES /  
FLASHING:**

**SCOPE OF WORK**

1. Rehabilitation of the roof system located at STEVESTON MARTIAL ARTS CENTRE AT 4251 MONCTON STREET, RICHMOND, BC. Location of Work
  
2. The Contractor shall furnish all labour, materials and equipment necessary to remove and dispose of existing roofing materials, flashings, etc. to the existing deck and/or walls as required. Rework and prepare all decks, perimeters, and walls as required to facilitate the written Specifications, Roof Plans and Details enclosed. Labour, Materials & Equipment
  
3. The Contractor to furnish all labour, materials and equipment deemed necessary to install new wood, roof system, sheet metal flashings and components, etc., as required by the written Specifications. Roof Plans and Details attached.
  
4. The Contractor to supply all protection deemed necessary to grounds, structure and persons involved. Protection
  
5. All materials, roofing or otherwise, to be installed by qualified "BC licensed trades people". Roofing crew to have a minimum of sixty (60%) percent journeymen with past experience applying the products specified. Qualification of Crew
  
6. Manufacturer's certification of crew members confirming past experience will be required prior to start-up of Work as related to the Modified Bitumen Membranes and / or Western Red Cedar Shakes and / or Sheet Metal Flashing. Certification of Crew
  
7. .1 Upon completion of the Work, submit to Owners a two (2) year Maintenance Bond as provided by the surety and a five (5) year written Roofing Contractor Labour and **GUARANTEES / WARRANTIES**  
Contractor

**4.0 MODIFIED BITUMEN ROOFING /  
WESTERN RED CEDAR SHAKES /  
FLASHING (CONTINUED):**

**SCOPE OF WORK  
(CONTINUED)**

- |    |  |   |
|----|--|---|
| 7. | .1 (Continued)<br>Material Guarantee for leaks and replacement of roofing materials, insulations, and other system and/or wall and/or deck and/or structure damage occurring from leaks, or if selected by the Owner, a five (5) year RCABC Guarantee in accordance with Offers 1 and 2, Clause 2. 2.2, 'Quotation Form', this document.   | GUARANTEES / WARRANTIES<br>Contractor (Continued) |
|    | .2 Ten (10) year minimum Materials Warranty or Manufacturers' Materials Warranty, whichever is the greater. (Provide sample warranty with Quote.)  | Cedar Shake Manufacturer                          |
|    | .3 Upon Completion, in care of the "Roofing Contractor", Sheet Metal Flashing Finishes: DURANAR® High-Performance Fluoropolymer Coatings (PVDF) produced with 70% Kynar 500® or Hylar 5000® Resin, or Cascadia, Duracoat XT-205, or Vic West, Colorite, or approval equal; twenty (20) year Paint Manufacturer's Warranty.   | Paint Manufacturer                                |
| 8. | Only those products listed in the following roof system components, and/or materials listing, are acceptable for use in this Specification. Inclusion of a non-specified product(s) may result in the rejection of the affected work. Correction of the rejected work shall be undertaken at no cost to the Owners and the satisfaction of the Consultant and/or his Representative. | Acceptable Products                               |
| 9. | For all torch-on applied roofs, Contractors are required to maintain a minimum two (2) hour fire watch at the end of each working day, after open roofing application methods have been utilized. All roof areas worked shall be checked for hot spots and signs of smouldering.   | CONTRACTORS TAKE NOTICE                           |



**5.0 MODIFIED BITUMEN ROOFING /  
WESTERN RED CEDAR SHAKES /  
FLASHING:**

**PROCEDURES & INSTRUCTIONS  
FOR ROOF SYSTEM RELATED  
WORK**

- |   |  |
|---|--|
| 1. Shop drawings supplied by the Contractor for all sheet metal details are to be approved in writing by the Roofing Consultant prior to shop forming.  | Approval of Sheet Metal Details                  |
| 2. .1 All inspections are to be on a one (1) per thirty (30) squares bases. (10' X 10' = 1 square)  | Quality Control Inspections, Etc...              |
| .2 All occurrences on site are to be documented in the daily reports and include photos. This shall include extras and changes to work.   |  |
| .3 All extras and changes to work are to be confirmed by the Roofing Consultant and the Owners' Representative.   |  |
| .4 The on-site Consultant is to be Roof Tech 2000 Consultants Ltd. Cost of quality control service to be paid by the Client direct and not be included in this Contract.  | Quality Control Payment                          |
| 3. All work must be continuous from start to completion as to be negotiated and agreed upon between Owners, Contractors and Roofing Consultant prior to start up of Work, with crews of adequate size and experience on each site as will be required to facilitate completion of the Contracts as agreed upon. | Sequence of Work / Crew Quantity                 |
| 4. All plumbing, electrical, phone, gas, etc. Disconnections and reconnections, both labour and materials are to be included in this Quotation. All materials and work are to be provided by the Contractor.  | Related Work Connections, Plumbing,<br>Gas, etc. |
| 5. All damage to plumbing, electrical, phone, gas, etc., due to penetrations of screws, nails, etc., are to be repaired to original standards as required to the satisfaction of the Owner's Representative. Cost of repairs is to be included in this Quotation.   | Plumbing, Electrical, etc. Damage                |

**5.0 MODIFIED BITUMEN ROOFING /  
WESTERN RED CEDAR SHAKES /  
FLASHING (CONTINUED):**

**PROCEDURES & INSTRUCTIONS FOR  
ROOF SYSTEM RELATED WORK  
(CONTINUED)**

- |     |   |  |
|-----|---|--|
| 6.  | All damage to the interior or exterior structure or grounds, walls, sidewalks, etc., is to be cleaned, repaired or upgraded to the satisfaction of the Owner's Representative. Cost of cleaning and restoration work to be included in this Quotation.  | Structure, Ground, Etc., Damage              |
| 7.  | Access to the interior of the structure is to be supplied as required to perform work as related to this Contract ONLY. Phones and interior washrooms are NOT to be used without prior permission of the Owners' Representative.  | Access to Structure                          |
| 8.  | Contractor is to provide all on site sanitary requirements.   | Sanitary Facilities                          |
| 9.  | The Owner shall make provisions for domestic power.   | Electrical Power                             |
| 10. | .1 Upon completion, submit to Owners a two (2) year Maintenance Bond as provided by the surety and a five (5) year written Roofing Contractor Labour and Material Guarantee for leaks and replacement of roofing materials, insulations, and other system and/or wall and/or deck and/or structure damage occurring from leaks, or if selected by the Owner, a five (5) year RCABC Guarantee in accordance with Offers 1 and 2, Clause 2. 2.2, 'Quotation Form', this document. | <b>GUARANTEES / WARRANTIES</b><br>Contractor |
|     | .2 Ten (10) year minimum Materials Warranty or Manufacturers' Materials Warranty, whichever is the greater. (Provide sample warranty with Quotation.)   | Cedar Shake Manufacturer                     |

**5.0 MODIFIED BITUMEN ROOFING /  
WESTERN RED CEDAR SHAKES /  
FLASHING (CONTINUED):**

**PROCEDURES & INSTRUCTIONS  
FOR ROOF SYSTEM RELATED  
WORK (CONTINUED)**

10. .3 Upon Completion, in care of the "Roofing Contractor", Sheet Metal Flashing Finishes: DURANAR® High-Performance Fluoropolymer Coatings (PVDF) produced with 70% Kynar 500® or Hylar 5000® Resin, or Cascadia, Duracoat XT-205, or Vic West, Colorite, or approval equal; twenty (20) year Paint Manufacturer's Warranty.
11. All materials shall be new unless specific written approval has been given by Specifying Authority for any component.
12. The Contractor shall obtain permits, pay all fees therefore, and comply with all Provincial and Municipal and other legal regulations and by-laws as applicable to the Work. If no local regulations, comply with the National Building Code of Canada, latest revision.
13. The location of existing features has been determined from available records, but is not guaranteed. The location of all such features shall be investigated and verified in the field by the Contractor.
14. Protect existing road, paving, buildings, finished surfaces, equipment, trees, lawns, utilities, heating, lighting, power and telephone services during the Work. Make good, repair or replace any damage to Owner's approval.

**GUARANTEES / WARRANTIES  
(Continued)**

Paint Manufacturer

New Materials

Permits, Regulations

Existing Features

Protection

**5.0 MODIFIED BITUMEN ROOFING /  
WESTERN RED CEDAR SHAKES /  
FLASHING (CONTINUED):**

**PROCEDURES & INSTRUCTIONS  
FOR ROOF SYSTEM RELATED  
WORK (CONTINUED)**

15. Provide, maintain and remove on completion, hoardings, barriers and warning signs for the protection of workmen and the public as required and approved by the Specifying Authority. All the necessary precautions shall be taken to protect the public at all times. No hoisting or lowering of roofing materials will be permitted in areas accessible to the public or employees.
16. Provide protection at all times against weather so as to maintain work, material, equipment and property free from injury or damage and as necessary ensure work is carried out expeditiously in accordance with agreed time schedule and completion date.
17. Parking for workmen employed on the Work shall be restricted to the area assigned for the purpose by the Owner or Authority having jurisdiction.
18. Submit to the Specifying Authority and Owner's Representative prior to the award of the contract, an application schedule, satisfactory to all parties. Schedule to indicate commencement of the Contract, progress and planned date of completion. All work must be coordinated in such a manner as to be continuous to completion with optimum crew size for the required Work.
19. All roof areas to be made water-tight as soon as possible before proceeding. No roof system components to be removed which are greater in area than can be made water-tight under climatic conditions existing at the time.

Work Area Safety

Climatic Conditions

Parking

Progress Schedule

Procedure

**5.0 MODIFIED BITUMEN ROOFING /  
WESTERN RED CEDAR SHAKES /  
FLASHING (CONTINUED):**

**PROCEDURES & INSTRUCTIONS  
FOR ROOF SYSTEM RELATED  
WORK (CONTINUED)**

- |  |                        |
|--|------------------------|
| 20. Access to buildings roofs are to be confirmed by: Owner's Representatives.   | Access to Work         |
| 21. To minimize odour from plant, keep the length of operations to the minimum. Locate odour producing equipment away from mechanical vents, intake ducts and/or prevailing winds which will redirect fumes.   | Odours                 |
| 22. Contractor shall ensure that the work is carried out in such a way as to inconvenience as little as possible the proper functioning of the premises.   | Sequence of Work       |
| 23. It is intended that the Contractor attends the site during normal daytime working period and no restriction will be made on the general continuity of his work. If a major restriction on operation is required due to unforeseen circumstances, it shall be recorded and signed for by the Owner Representative and subject to additional costs.  | Daily Working Period   |
| 24. This Contractor shall provide protection to the property and the surrounding properties under this section, from damage resulting from his work, particularly during the removal of any of the existing roofs. All damages caused by this Contractor shall be made good by him at no cost to the Owner. The Contractor shall maintain adequate fire suppression equipment on roof area and for all torch applied roofs shall also <b><u>maintain a minimum two (2) hour fire watch standby</u></b> after work operations have ceased for the day, and/or when fire is at a risk. | Protection of Property |

**5.0 MODIFIED BITUMEN ROOFING /  
WESTERN RED CEDAR SHAKES /  
FLASHING (CONTINUED):**

**PROCEDURES & INSTRUCTIONS  
FOR ROOF SYSTEM RELATED  
WORK (CONTINUED)**

25. This Contractor shall maintain the site in as clean a condition as possible, to the satisfaction of the Consultant during his work daily, and shall remove from this and the surrounding properties, any debris from his work on the completion of the job. Failure to do this will result in this cleaning and removal being instituted by the Owner and the cost then deducted from the amount owing this Contractor.
26. .1 All demolished material to be carefully contained and removed by chutes or other approved means from roof surfaces in order of procedure. Demolished materials are to be deposited in secure and tarped containers.
- .2 Disposal containers are to be located in only those areas that do not interfere with the daily operations of the building.
- .3 All disposal containers must be cordoned off utilizing ultra-visible combination of flags, ropes and / or barricades, to comply with Workers' Compensation Board requirements regarding public safety.
- .4 No stock piling of roofing debris on existing roofs or ground will be permitted.
- .5 To prevent fire and / or vandalism, disposal containers are to be removed from the site immediately upon filling and to be tarped and secured if partially filled and left overnight. All related liability will be included in the Contractor's responsibilities.

Clean-up  
Demolition, Debris and Disposal

**5.0 MODIFIED BITUMEN ROOFING /  
WESTERN RED CEDAR SHAKES /  
FLASHING (CONTINUED):**

**PROCEDURES & INSTRUCTIONS  
FOR ROOF SYSTEM RELATED  
WORK (CONTINUED)**

26. .6 Any disposal container left on site, without the presence of the roofing crew, must be located a minimum of ten (10) meters away from the building wall or roof overhang, unless otherwise approved by the Owners Representative.
- .7 Common areas surrounding the work site must be kept clean at all times. **Daily clean-up and disposal of all debris is MANDATORY.** Related costs are to be included in this Quotation .

Demolition, Debris and Disposal  
(Continued)

**Note:** Fire related vandalism and unauthorized access to the roof areas is of paramount concern and all stipulations will be rigidly enforced.

27. Storage of the specified roof replacement products are restricted to only those roof areas governed by this Contract.
28. Bidders will be accepted only from those Roofing Contractors who are licensed to carry on business in the Province of British Columbia and who have a qualified B.C. Roofing Tradesman Ticket and are approved by the membrane Manufacturer **prior** to start up of work.
29. Contractor **NOT** to start contracts as agreed by Owner, Roofing Consultant and the Roofing Contractor **prior** to submission of signed Agreement.

Storage

Qualifications of Bidder

Commencement of Work

**5.0 MODIFIED BITUMEN ROOFING /  
WESTERN RED CEDAR SHAKES /  
FLASHING (CONTINUED):**

**PROCEDURES & INSTRUCTIONS  
FOR ROOF SYSTEM RELATED  
WORK (CONTINUED)**

30. .1 For all Insurance requirements see 'General Conditions of the Contract', Clauses 14.1 and 14.2, 'Indemnification and Insurance', forming part of City of Richmond Contract 3058Q, this document.
- .2 Insurance must be issued by an Insurance Carrier, licensed in B.C. Proof of Insurance is required prior to start-up of Work. See 'Appendix A - Undertaking of Liability Insurance', forming part of City of Richmond Contract 3058Q, this document.
- .3 Provide written proof of Workers Compensation coverage as required, prior to work start-up. Refer to 'General Conditions of the Contract', Clause 15. 'Workers' Compensation Board Coverage / Prime Contractor', forming part of City of Richmond Contract 3058Q, this document.

**INSURANCES**

**Workers' Compensation Coverage**



## 6.0 MODIFIED BITUMEN ROOFING:

## PROCEDURES & INSTRUCTIONS FOR ROOF SYSTEM COMPONENTS

1. **Self-adhesive membrane stripping must be used on all interior combustibile wall surfaces.**

Preheating only, of this stripping membrane is allowed. No open flame application is to be used on any combustibile interior wall surface directly above roofed area.

**Note: A minimum of a two (2) hour fire watch is required after all torch application procedures.**

2. Prior to the installation of any new roofing system the roof deck is to be evaluated to verify that its condition is capable of supporting the new system. All areas with deterioration will require upgrading by 'others' and/or satisfactorily negotiated with the existing Contractor all costs of upgrading, if required, not to be included in this Quotation.

Evaluation of Roof Deck

3. Install Permaboard to the deck, nailed 12" O.C.

Permaboard

- .1 Side and butt joints are to be staggered.
- .2 Nail Permaboard to all wood surfaces to receive torch applied membrane at 12" O.C. Fasten with large head Simplex nails.
- .3 Tape all joints at horizontal / vertical transitions using 6" 'Peel and Stick' tape.

## 7.0 MODIFIED BITUMEN ROOFING:

## MATERIALS

1. S.B.S. / modified bituminous primer compatible with membranes.
2. To be galvanized and of the appropriate size and type. Large head simplex nails with spiral shank.
3. Alternate stripping for combustible wall surfaces. 3.0 mm 180 g/m<sup>2</sup> non-woven polyester fleece plus glass grid, top surface is covered with a thermofusible plastic film and the bottom side contains a self-adhesive surface CGSB 37GP56M, Type-2, Class-C, Grade-2. This self-adhesive membrane must be used on all interior combustible wall surfaces as the first ply stripping. NO OPEN FLAME torch welding is allowed on the first ply stripping to those areas.
4. To be 4.0 mm 250 g/m<sup>2</sup> non-woven polyester fleece, top surface is covered with coloured ceramic granules and the bottom surface has a thermofusible plastic film for torch welding application CGSB 37GP56M, Type-1, Class-A, Grade-2. Colours are to be pre-approved, in writing, by Owner's Representative.
5. Mastic, compatible to S.B.S. modified bitumen membranes.
6. To be 6" wide strip of Peel and Stick tape with poly-release on bottom and sanded surface on top.
7. To be galvanized and of the appropriate size and type.
8. To be Schnee-Morehead SM7100 (or equal) colour to match materials in use.

Primer

Fasteners

(Torch applied) Base Sheet for  
"Combustible" Walls

Note: A Minimum two (2) hour fire watch  
is required for all torch applications.

(Torch applied) Granulated Cap Sheet  
Mainfield Membrane and Stripping Ply

Mastic

Peel and Stick Tape

Screws and Nails

Caulking

**7.0 MODIFIED BITUMEN ROOFING:  
(CONTINUED)**

**MATERIALS  
(CONTINUED)**

9. Mastic compatible to S.B.S. Modified Bitumen membranes.

Roofing Mastic

10. To be rigid underlay board, Hal Industries Permaboard or equal.

Permaboard

## 8.0 WESTERN RED CEDAR SHAKES

## PROJECT INSTRUCTIONS & MATERIALS

- |  |  |
|--|--|
| <p>1. All materials shall be new unless specific written approval has been given by Specifying Authority for any component.</p> <p>2. Prior to the installation of any new roofing system, the roof deck is to be evaluated to verify that its condition is capable of supporting the new system. All areas with deterioration will require upgrading by 'others' and / or as satisfactorily negotiated with the existing Contractor. All costs of upgrading, if required, not to be included in this Quotation. See Unit Fees.</p> <p>3. .1 All existing nails are to be removed or hammered in flush to the deck surface.</p> <p>.2 All dimensional lumber to be re-nailed as and if required, to provide a solid, smooth surface for the installation of the new overlay system.</p> <p>4. Underlayment: Eave, gable, rake, ridge and valley protection shall be one ply continuous, self-adhering membrane to achieve 100% coverage of roof areas.</p> <p>.1 Install underlayment at right angles to the slope with 3 1/2" (90 mm) side laps, 6" (155 mm) end laps and extend 1 1/2" (40 mm) beyond the eave fascia board.</p> <p>.2 Underlayment membrane is to be fibreglass reinforced, S.B.S. modified peel and stick; Soprema Lastobond 195 or equal.</p> | <p>New Materials</p> <p>Existing Deck's Condition<br/>And Upgrading</p> <p>Existing Deck Preparation</p> <p>Underlayment</p> |
|--|--|

**8.0 WESTERN RED CEDAR SHAKES  
(CONTINUED)**

**PROJECT INSTRUCTIONS &  
MATERIALS (CONTINUED)**

5. New step flashing, shall extend a minimum of 5” (125 mm) up vertical surfaces, 4” (100 mm) between courses of roofing and have a 3” (75 mm) head lap. Step flashing shall extend a minimum of 3” (75 mm) beyond the down slope corners and be folded, but not cut, and a minimum of 9” (400 mm) in length.

Step Flashing

6. To be 24 gauge galvanized sheet steel, minimum 0.028” (0.71 mm) of commercial quality to ASTM-A446, finished with A526-80-Z275 zinc coating or equal. Equal coating to equal ASTM-D-966 and G-23. Colour to be selected by the Owner from Manufacturer’s standard colour range.

Pre-finished Sheet Metal Flashing

7. .1 All metal shall have proper allowances for expansion and contraction.

Sheet Metal Installation Criteria

.2 No laps joints will be permitted except for eave flashing. Laps to be 6” (155 mm) with mastic between laps.

.3 All metal to be joined by double ‘S’ lock clips, single ‘S’ locks, standing seams or continuous clips (see Typical Details).

.4 All cap flashing top surfaces and corners to be secured using standing seams. Inside and outside fascia corners to be secured with double ‘S’ locks.

.5 All joints are to be caulked both prior to and after connections.

.6 All exposed edges of flashings shall be hemmed to form drip edges.

.7 All metal to be firmly attached to structure with compatible wood or metal screws.

**8.0 WESTERN RED CEDAR SHAKES  
(CONTINUED)**

**PROJECT INSTRUCTIONS &  
MATERIALS (CONTINUED)**

7. 8. 'Dutchman' clips and other exposed fasteners are NOT to be used.
9. All Sheet Metal Details are to be approved by Roofing Consultant prior to manufacture.
10. Peel off any strippable film on flashings as they are installed.
11. Touch-up all minor scratches and spots with compatible paint, as recommended by the Panel Manufacturer.

Sheet Metal Installation Criteria  
(Continued)

8. Apron flashings shall extend a minimum 5" (125 mm) up vertical surfaces, 4" (100 mm) over the shakes and 4" (100 mm) around corners. Shop form apron flashings from 24 G.G.I. with silver soldered corners and painted with two (2) coats of rust inhibitive paint. Colour to match sheet metal flashings.

Apron Flashings

9. Head flashings shall extend a minimum 5" (125 mm) up vertical surfaces, 18" (450 mm) up the slope and 4" (100 mm) around corners. Shop form head flashings from 24 G.G.I. with silver soldered corners and paint with two (2) coats of rust inhibitive paint. Colour to match sheet metal flashings.

Head Flashings

10. Water diverter flashing shall be installed at all roof eaves to direct water away from walls and into drainage systems. Diverter shall extend a minimum 5" (125 mm) up vertical surfaces, 4" (100 mm) over roof material and be installed on a 20-degree angle to the vertical slope.

Water Diverter Flashing

**8.0 WESTERN RED CEDAR SHAKES  
(CONTINUED)**

**PROJECT INSTRUCTIONS &  
MATERIALS (CONTINUED)**

11. Assure plumbing pipes are extended to a minimum / maximum height of 12" (300 mm) above the finished roof surface and all extensions, if necessary, are to comply with the current British Columbia Building Code requirements.

Plumbing Pipes

12. Shop formed or manufactured "stacks and caps" to be 32 oz copper or 14 gauge aluminum welded, braised or silver solder only. DO NOT use tin solder. Set flange in a trowel coat of mastic and flash with feel and stick membrane.

Plumbing Vent Stacks

13. Vent flashings and related storm collars shall be fabricated from 26 gauge galvanized steel, with soldered seams, must bear the U.L.C. label, and painted with two (2) coats of rust inhibitive paint. Colour to match sheet metal flashings.

'B' Vents and / or Vent Flashings

14. Stainless steel nails (Type 304 or 316) by National Nail or equal. Nails are not to penetrate the underside of tongue and groove deck.

Fasteners

15. Western Red Cedar Shakes shall be Premium Grade (100% edge grain, 100% all clean, 100% heartwood) 24" treated, hand split and re-sawn conforming to CSA-0118.1-97.

RED CEDAR SHAKES

.1 Shakes are to be installed in a 3-ply application with a maximum exposure of 7 1/2" (610 mm).

.2 The starter course shall be tripled and the butts shall project 1 1/2" (4.0 mm) beyond the eave and at gable ends.

Starter Course

.3 Nailing to be two (2) nails per shake placed 3/4" (20 mm) from each edge and 1 1/2" (40 mm) above the butt line of the following course.

**8.0 WESTERN RED CEDAR SHAKES  
(CONTINUED)**

**PROJECT INSTRUCTIONS &  
MATERIALS (CONTINUED)**

15. .4 After applying each course of shakes, an 18" (455 mm) wide strip of No. 15 asphalt felt shall be laid over the top portion of the shakes, extending onto the sheathing. The bottom edge of the felt shall be positioned at a distance equal to twice the weather exposure above the butt. Joints in adjacent courses shall be broken or off-set not less than 1 1/2" (40 mm), in any three courses. No two (2) joints should be in direct alignment. Individual shakes shall be spaced 10 mm (3/8") to 16 mm (5/8" apart to allow for possible expansion.

RED CEDAR SHAKES (Continued)

16. .1 A 9" (230 mm) strip of peel and stick membrane shall be applied at hips and ridges prior to capping.

Hips & Ridges

.2 All hips and ridges shall be of the alternate overlap type and at same weather exposures as the field of the roof.

.3 Hips and ridge capping must be manufactured from the same grade product (Premium) as used in the field of the roof. Nails must be longer than those used in the field of the roof and of sufficient length to penetrate the underlying sheathing a minimum of 3/4" (20 mm).

.4 Shakes / shingles used to manufacture hip and ridge capping shall be fastened (joined) together with a minimum of one corrosion resistant nail (hot dipped zinc aluminum or stainless steel, Type 304 or 316) placed approximately 1 1/2" (40 mm) from the butt end or alternatively fastened with four (4) nails per cap in a staggered pattern.



**8.0 WESTERN RED CEDAR SHAKES  
(CONTINUED)**

16. .5 Staples or T-nails are not acceptable as the only securement method for the manufacture of hip and ridge capping.
17. .1 Metal valley sheets shall be centre-crimped 30" (765 mm) minimum width. Metal gauge to be 24 G.G.I.B.E. sheet metal
- .2 Shakes extending into the valley should be sawn to the proper mitre. No joints shall be broken into valleys, nor shakes laid with grain parallel to centre line of valley.
18. Caulking grade to be equivalent to Schnee-Moorehead SM 7100 or superior.
19. All damage to the interior or exterior structure or grounds, walls, sidewalks, etc, is to be cleaned, repaired or upgraded to the satisfaction of the Owner's Representative. Cost of cleaning and restoration work is to be included in this Quotation.
20. All plumbing, electrical, gas, phone, etc damaged due to penetration of screws, nails, etc, to be replaced to original standards and as required to the satisfaction of the Owner and to comply with Municipal / Provincial Code standards. All costs to be included in this Quotation.
21. Provide a Separate Price to remove and dispose of all fascia boards at all eaves and to install new pressure treated fascia boards to all eaves.
- .1 Fascia boards are to match existing species and dimensions.
- .2 To treated wood, apply primer and two (2) coats of paint to match existing.
- .3 Fasten using four (4) screws per rafter of a sufficient length to penetrate rafter 3" (75 mm).

**PROJECT INSTRUCTIONS & MATERIALS  
(CONTINUED)**

Hips & Ridges (Continued)

Valleys

Caulking

Damage – Structure, Grounds, etc

Fastener Penetration Damage

Fascia

## **Environmental Terms and Conditions of Contract**

### **1. Environmental Policy Requirements**

#### 1.1 The City of Richmond's Environmental Purchasing Policy

The City of Richmond's Environmental Purchasing Policy states:

In order to increase the development and awareness of environmentally sound products and services, City of Richmond Staff will review their contracts and Quotation specifications for goods and services, to ensure that wherever possible and economically feasible, specifications are amended to provide for consideration of environmental characteristics. Consideration may be given to those environmental products that are certified by an independent accredited organization.

The City of Richmond as a whole will endeavour to increase its use of products and services that are more responsible to the environment in the way they are made, used, transported, stored and packaged and disposed of. It is recognized that analysis is required to ensure that the products are made available at competitive prices, and that the environmental benefits provided by a product or service should not significantly affect the intended use of that product or service.

1.1.1 The City of Richmond reserves the right to request information from bidders that will demonstrate compliance to this environmental purchasing policy.

1.1.2 Bidders are asked to supply information on environmentally preferable products and services that meet all specifications and performance requirements.

1.1.3 Placing the City of Richmond in breach of its environmental policy or environmental laws will result in the termination or suspension of an agreement, at the sole discretion of the City.

### **1.2 Environmental Attributes of Company**

1.2.1 It is desirable that suppliers to the City of Richmond have an environmental policy statement approved at the executive level and implemented across the company.

1.2.2 Suppliers who have pursued environmental certification such as ISO 14001 should include this information with their bid. The ISO 14000 Series is a set of international standards for voluntary environmental management for both private and public organizations. It is designed to promote environmental compliance, ensure a commitment to pollutions

1.2.3 prevention, and foster continual improvement of environmental performance through efficient environmental management.

1.2.4 The City of Richmond strictly subscribes to an environmental policy that requires all suppliers to be in compliance with all environmental laws and regulations regarding the manufacture, processing, handling, provision, disposal and waste management of goods and services.

**1.3 Environmental Purchasing Resources**

1.3.1 The City of Richmond Environmental Purchasing Guide is available from the City of Richmond Web site at:

<http://www.richmond.ca/services/environment/policies/purchasing.htm>

## **General Conditions of the Contract**

### **1. INTERPRETATION**

#### **1.1 Definitions**

In the Contract Documents, the following definitions apply:

“**City**” means the City of Richmond;

“**Contract**” means this contract as set out and described in the Contract Documents;

“**Contract Documents**” has the meaning set out in the Instructions to Bidders;

“**Contractor**” means the Bidders that is awarded the Contract; and

“**Work**” means and includes anything and everything required to be done for the completion of this Contract.

### **2. WORK**

#### **2.1 Conformity with Contract Documents**

The Contractor will perform the Work in strict conformity with the Contract Documents.

#### **2.2 Standard of Care**

The Contractor will perform the Work with that degree of care, skill and diligence normally provided by a qualified and experienced practitioner performing similar work, and on the understanding that the City is relying on the Contractor’s experience and expertise.

#### **2.3 Satisfaction of City**

The Contractor will perform the Work to the reasonable satisfaction and approval of the City. The City will be the sole judge of the Work in respect of both quality and quantity, and the City’s decisions with regard to the Work, or as to the meaning and intention of this Contract, or any part or parts thereof, will be binding and final upon the Contractor.

#### **2.4 Permits**

The Contractor will obtain and pay for all applicable permits, licences, and certificates required to complete the Work unless otherwise provided herein.

**General Conditions of the Contract (Cont'd)****2.5 Changes in the Work**

The City may make changes to the Work, and the Contract price and time for performance will be adjusted by mutual agreement between the City and the Contractor. Except in the case of an emergency, changes may not be made by the Contractor without written approval by the City.

**3. PERSONNEL****3.1 Qualified Personnel**

The Contractor will provide only professional personnel who have the qualifications, experience and capabilities to perform the Work.

**3.2 Subcontractors**

The Contractor will perform the Work using its own personnel and those subcontractors as may be listed on the Quotation Form and approved by the City, and will bind all approved subcontractors to the terms of the Contract Documents, as applicable to the subcontractors work. The Contractor will be as fully responsible to the City for acts and omissions of subcontractors and of persons directly or indirectly employed by them as for acts and omissions of persons directly employed by the Contractor.

**3.3 Replacement of Personnel or Sub-Contractors**

If the City reasonably objects to the performance, experience, qualifications or suitability of any of the Contractor 's personnel or subcontractors then the Contractor will, on written request from the City, replace such personnel or sub-Contractors.

**3.4 City's Own Forces and Other Contractors**

The City may have its own work forces and other Contractors on the site while the Work is under way. The City will coordinate the work of all Contractors on the site and require their coordination with each other. The Contractor will report to the City any apparent deficiencies in other Contractors' work which would affect the Work, immediately after the deficiencies come to the Contractor's attention.

**4. INDEPENDENT CONTRACTOR**

It is understood that this Contract is strictly between the Contractor and the City and the Contractor is an independent Contractor for the City and no employment relationship, partnership, agency, or joint venture exists between the City, the

**General Conditions of the Contract (Cont'd)**

employees of the Contractor and/or its agents and/or their employees, and/or its Contractors and/or their employees. Any disputes between the Contractor and any of its employees and/or its agents and/or their employees and/or their Contractors and/or their employees will be resolved by the Contractor with no involvement by the City.

**5. PREMISES****5.1 Use of Premises**

The Contractor will confine the use of the premises for the Work as directed by the City and will comply with regulations which govern the building or institution where the Work is located.

**5.2 Cleaning of Premises**

At the conclusion of the Work, the Contractor will clean up and remove all debris and rubbish to the satisfaction of the City.

**5.3 Light, Power, and Heat**

The City's supply of electrical energy and water will be available to the Contractor without charge. The Contractor, upon completion of the Work, will remove temporary connections and extension of services, leaving the existing structures and services undamaged.

**6. INQUIRIES**

Contractor's inquiries to the City during construction should be directed to the following:

**General Conditions of the Contract (Cont'd)****Technical**

J.P. Jansen, RRO  
Roof Tech 2000 Consultants Ltd.

Telephone: 604- 888-7663  
E-mail: [rooftech2000@telus.net](mailto:rooftech2000@telus.net)  
Cell: 604-230-7663

or

Ricardo T. Soliven, AscT  
Project Coordinator  
City of Richmond

Telephone: 604-244-1237  
E-mail: [rsoliven@richmond.ca](mailto:rsoliven@richmond.ca)

**7. PAYMENT****7.1 Progress Payments**

The Contractor will submit a monthly invoice (the "**Invoice**") to the City requesting payment of the portion of the Work completed in the previous month.

the City will pay the portion of an Invoice which the City determines is payable within 30 days of the receipt of the Invoice, except the City will hold back from payments 10% of the amount the City determines is payable to the Consultant.

**7.2 Payment of Holdback**

The City will pay the Contractor the 10% holdback 55 days after completion of the Work upon receipt of:

- the Contractor's written claim for final payment;
- a Statutory Declaration stating that the Contractor has discharged every obligation and paid or satisfied every just claim incurred by him in connection with the Contract, including claims by subcontractors, and
- written clearance from the Workers' Compensation Board.

**8. TAXES AND FEES****8.1 Taxes**

Unless otherwise provided herein, the Contractor will pay all government sales or excise taxes in force at the date of the Contract, provided that any increase or decrease in such taxes will increase or decrease the amount due under the Contract accordingly. The Contractor will ensure that invoices show the



**General Conditions of the Contract (Cont'd)**

appropriate amounts for Goods and Services Taxes and Provincial Sales Taxes separately.

**8.2 Patent Fees**

The Contractor will pay all royalties and licence fees and will save the City harmless from any and all losses on account of suits or claims of infringement of patents in any way connected to the Contractor's performance of the Work.

**9. DEFECTIVE WORK****9.1 Correction of Defects**

If, in the opinion of the City, the Work is improperly, defectively, or insufficiently performed, or being performed, the City may, in writing, order the Contractor to re-execute or correct the Work in accordance with such order; and if the Contractor fails to comply with such order within ten working days, the City may, at any time thereafter, execute or cause to be executed the order so given, and the Contractor will, on demand, pay to the City, all costs, damages, and expenses incurred in respect thereof or occasioned by reason of the non-compliance by the Contractor with any such orders; and if the Contractor fails to pay such costs, damages, and expenses, the City may retain and deduct such costs, damages, and expenses from any amount then or thereafter payable to the Contractor under this Contract.

**9.2 Deficiency Holdback**

The City may retain holdbacks to cover deficiencies in the Work, in an amount equal to twice the amount the City estimates as the total cost to complete the deficiencies.

**10. WARRANTY**

See Roof Tech 2000 Consultants Ltd. Specifications, Section 5.0, Clause 10.1 to 10.3, GUARANTEES / WARRANTIES'.

**11. LIENS****11.1 Indemnification**

The Contractor will fully indemnify the City from and against any and all liability or expenses by way of legal costs or otherwise in respect of any claim which may be made for a lien or charge at law or in equity or to any claim or liability under the Builders Lien Act, or to any attachment for debt, garnishee process, or otherwise, that arises in connection with the Work.

**General Conditions of the Contract (Cont'd)****11.2 Lien Holdback**

The City may, in addition to other holdbacks as provided by the Contract Documents, hold back an amount equal to any lien which has been filed with respect to the Work, plus 10% as security for costs. The City may, at its option, after five days written notice to the Contractor, pay such amount into court to discharge the lien. If the lien is discharged without payment of the holdback into court, then the City shall pay such holdback to the Contractor, without interest.

**12. PROTECTION OF THE WORK**

The Contractor will protect of the Work and materials from damage and will protect the City's property and any adjoining property from injury due to the Work.

**13. BONDS**

If required by the Owner or Construction Manager, within fourteen (14) calendar days of the award of the Contract or the demand by the Owner or Construction Manager (whichever occurs first), the Contractor shall provide and pay for a Performance Bond and a Labour and Materials Payment Bond each in the amount of fifty percent (50%) of the Contract Price, covering the faithful performance of the Contract including the requirements of Item 10 – Warranty, and including without limitations, corrections after completion provided for in Item 10, and payment of all obligations arising under the Contract.

For greater certainty, the Performance Bond shall cover the Owner and the Construction Manager in the event of the Contractor's Failure to faithfully perform the Contract, whether from bankruptcy or otherwise, for all expenses incurred to properly complete the work, including reasonable legal fees and additional architectural or engineering fees, watchman services, heating, lighting and all similar expenses.

The aforesaid Performance Bond and Labour and Materials Bond shall name the City of Richmond as the obligee, and shall be issued by the surety only after the Contractor has provided to the surety complete disclosure of all Terms and Conditions of the Contract, any amendments thereto, and all assignment agreements, if any, applicable to the Contract, and shall be duly executed by all parties thereto. The Contractor shall provide to the Owner, or cause to be provided to the Owner, such written confirmation as the Owner deems appropriate that the surety has received full disclosure of all material information and documents which may affect or impact upon the surety's obligations under the Performance Bond and the Labour and Materials Payment Bond.

**General Conditions of the Contract (Cont'd)****14. INDEMNIFICATION AND INSURANCE****14.1 Indemnification**

The Contractor will indemnify, hold, and save harmless the City from and against all claims, losses, damages, costs, actions, and other proceedings, made, sustained, brought or prosecuted in manner, based upon, occasioned by, attributable to any injury, including death, property damage, infringement, or damage arising from any act or omission of the Contractor, the Contractor's employees, officers, volunteers, servants, or agents or persons from whom the Contractor has assumed responsibility in the performance or purported performance of this Contract.

**14.2 Insurance**

The Contractor will, at its own expense, through the terms of the Contract secure, maintain, and pay for the following coverage:

**Comprehensive General Liability Insurance** with a limit of not less than \$5,000,000 inclusive per occurrence for bodily injury and property damage and \$5,000,000 for personal injury. The policy or policies will cover all premises and operations necessary or incidental to the performance of this Contract and include but not necessarily be limited to the following coverage:

- *Contractual liability assumed under this Contract.*
- *Contingent employer's liability with respect to operations of sub-Contractors.*
- *Owner's protective liability.*
- *Cross liability.*
- *Automobile liability (non-owned, hired).*
- *Completed operations liability 24 months after completed operations.*
- *Voluntary medical payments.*

**"Course of Construction" Property Damage Insurance** covering all risks of physical loss or damage on an occurrence basis, including loss of use of property, and including losses or damage from flood or earthquake. The coverage provided will amount to no less than 80% of the total value of the Work done and material delivered to the site, or under the control of the Contractor, payable to the City and Contractor as their interests may appear, and protecting each in such terms as

**General Conditions of the Contract (Cont'd)**

will preclude subrogation claims by the insurer against anyone insured thereunder.

The City, its officers, officials, and employees will be added as additional named insured on all such policies. All such insurance provided by these policies will be primary regardless of any insurance or self insurance that may be enforced at the time of any loss or claim that insures the City, its officers, officials, and employees.

The policy or policies will be underwritten by an insurance company or companies licensed to do business in the Province of British Columbia and who meet with the reasonable approval of the City. Prior to the commencement of the Work, the Contractor will furnish the City through the Office of the Purchasing and Insurance Department a certified original copy of all such policies as evidence that such insurance is in force. The Contractor agrees that such insurance policies cannot be cancelled, lapsed, or materially changed without at least 30 days' written notice to the City.

Maintenance of such insurance and the performance of the Contractor of the Contractor's obligations under this clause will not relieve the Contractor of liability under the indemnification provisions here and above set forth. The foregoing insurance provisions will not limit the insurance required by Municipal, Provincial, or Federal law.

It will be the full responsibility of the Contractor to determine whether any additional insurance coverage is necessary and advisable for its own protection and/or to fulfil its obligations under this Contract. Any such additional insurance will be provided and maintained by the Contractor its own expense.

**15. WORKERS' COMPENSATION BOARD COVERAGE/PRIME CONTRACTOR**

The Contractor agrees that it will at its own expense procure and carry or cause to be procured and carried and paid for, full Workers' Compensation Board coverage for itself and all workers, employees, servants and others engaged in or upon any work or service which is the subject of this Contract. The Contractor agrees that the City has the unfettered right to set off the amount of the unpaid premiums and assessments for such Workers' Compensation Board coverage against any monies owing by the City to the Contractor. The City will have the right to withhold payment under this Contract until the Workers' Compensation Board premiums, assessments or penalties in respect of work done or service performed in fulfilling this Contract had been paid in full.

The Contractor agrees that it is the Prime Contractor for the purposes of the Workers' Compensation Board Occupational Health and Safety Regulations for the Province of British Columbia. The Contractor will have a safety program acceptable to the Workers' Compensation Board and will ensure that all Workers' Compensation Board safety rules

**General Conditions of the Contract (Cont'd)**

and regulations are observed during performance of this Contract, not only by the Contractor but by all subcontractors, workers, material men and others engaged in the performance of this Contract. Prior to commencement of construction, the Contractor will complete and file a "Construction Notice of Project" with the Workers' Compensation Board and will provide a copy of the same to the City confirming that the Contractor will be the Prime Contractor responsible for coordination of safety and health under Part 3 of the Workers Compensation Act and Part 20 of the WCB Occupational Health and Safety Regulations.

The Contractor will provide the City with the Contractor's Workers' Compensation Board registration number and a letter from the Workers' Compensation Board confirming that the Contractor is registered in good standing with the Workers' Compensation Board and that all assessments have been paid to the date thereof prior to the City having any obligation to pay monies under this Contract. The Contractor will also provide a signed copy of the Prime Contractor Designation Document.

The Contractor will indemnify the City and hold harmless the City from all manner of claims, demands, costs, losses, penalties and proceedings arising out of or in any way related to unpaid Workers' Compensation Board assessments owing from any person or corporation engaged in the performance of this Contract or arising out of or in any way related to the failure to observe safety rules, regulations and practices of the Workers' Compensation Board, including penalties levied by the Workers' Compensation Board.

**16. DEFAULT**

The City may, by notice to the Contractor, terminate this Contract:

- If the Contractor fails to perform the Work within the time specified or breaches any material provision of the Contract,
- If the Contractor is adjudged bankrupt, or makes a general assignment for the benefit of creditors because of its insolvency, or if a receiver is appointed because of its insolvency;

If the City terminates this Contract as provided by this section, then the City may:

- enter into contracts, as it in its sole discretion sees fit, with other persons to complete the Work;
- withhold payment of any amount owing to the Contractor under this Contract for the performance of the Work;
- set-off the total cost of completing the Work incurred by the City against any amounts owing to the Contractor under this Contract, and at the completion of the Services pay to the Contractor any balance remaining; and

**General Conditions of the Contract (Cont'd)**

- if the total cost to complete the Services exceeds the amount owing to the Contractor, charge the Contractor the balance, which amount the Contractor will forthwith pay.

**17. USE OF WORK PRODUCT**

The Contractor hereby sells, assigns and transfers to the City the right, title and interest required for the City to use and receive the benefit of all the reports, drawings, plans, designs, models, specifications, computer software, concepts, products, designs or processes or other such work product produced by or resulting from the Work rendered by the Contractor. This section does not give the City the right to sell any such work product to any third party and the City may sell the work product only with the prior approval of the Contractor. The Contractor may retain copies of the work product.

**18. JURISDICTION**

Nothing in this Contract limits or abrogates, or will be deemed to limit or abrogate, the jurisdiction of the Council of the City in the exercise of its powers, rights or obligations under any public or private statute, regulation or by-law or other enactment.

**19. DISPUTE RESOLUTION**

All matters in dispute under this Contract may, with the concurrence of both the City and the Contractor, be submitted to arbitration by a single arbitrator.

**20. GENERAL****20.1 Governing Law**

This Contract will be governed by the laws of British Columbia.

**20.2 Compliance with Laws**

The Contractor will perform the Work in compliance with all applicable codes, laws, regulations, and ordinances.

**20.3 Amendment**

This Contract may be amended only by agreement in writing, signed by both parties.

**20.4 Time**

Time will be of the essence in this Contract.

**General Conditions of the Contract (Cont'd)**

**20.5 Assignment**

Neither party will assign the Contract without the written consent of the other.

**20.6 Notices**

Any notice required to be given in this Contract will be deemed to be duly given to the City if sent by registered mail addressed to the City's Purchasing and Risk Department at Richmond "City Hall, 6911 No. 3 Road, Richmond, BC V6Y 2C1" and to the Contractor if sent by registered mail addressed to the Contractor at the address set forth in the Quotation Form.



Richmond  
158Q

Quotation: Roof Rehabilitation – STEVESTON MARTIAL ARTS CENTRE

**City of Richmond**  
Business & Financial Services Department

## Notice of No Bid

**Note:** Receipt of this completed form will assist us in calling for future bids. Please complete and submit this form prior to the closing date and time as shown on the Request for Quotation/Proposal/Quotation form.  
Please remember to include Quotation/Proposal/Quotation No. at right.

Quotation/Proposal/Quotation No.

# 3058Q

**A Quotation/Proposal/Quotation is not being submitted for the following reason(s):**

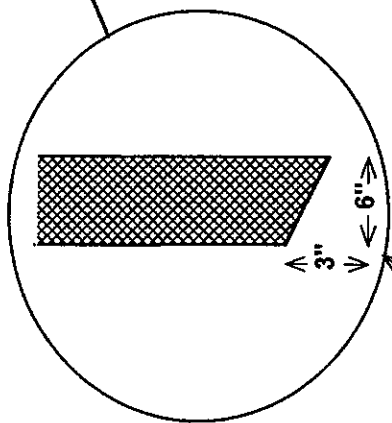
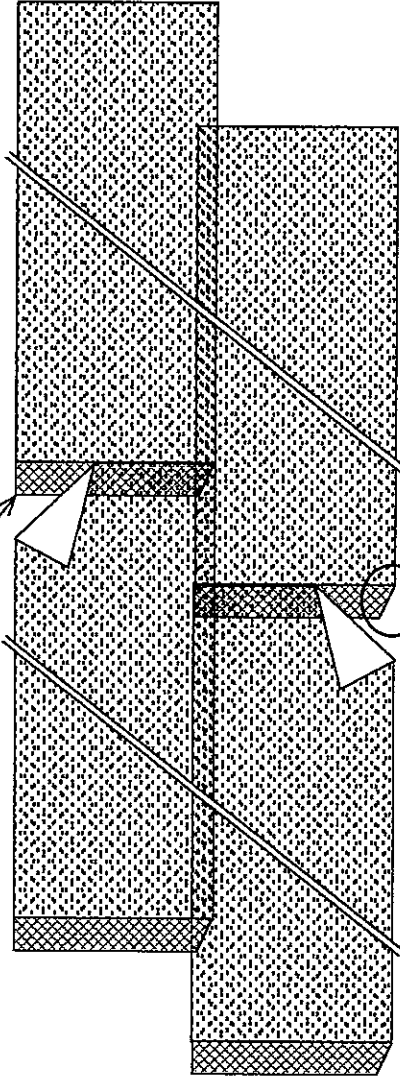
- |   |  |
|---|--|
| <input type="checkbox"/> We do not manufacture/supply the required goods/services     | <input type="checkbox"/> Cannot obtain raw materials/goods in time to meet delivery requirements |
| <input type="checkbox"/> We do not manufacture/supply to stated specifications        | <input type="checkbox"/> Cannot meet delivery requirements                                       |
| <input type="checkbox"/> Specifications are not sufficiently defined                  | <input type="checkbox"/> Cannot quote/Quotation a firm price at this time                        |
| <input type="checkbox"/> Insufficient information to prepare quote/proposal/Quotation | <input type="checkbox"/> Insufficient time to prepare quote/Quotation.                           |
| <input type="checkbox"/> Quantity too small   | <input type="checkbox"/> We are unable to competitively quote/Quotation at this time.            |
| <input type="checkbox"/> Quantity too large   | <input type="checkbox"/> We do not have facilities to handle this requirement                    |
| <input type="checkbox"/> Quantity beyond our production capacity                      | <input type="checkbox"/> Licensing restrictions (please explain)                                 |
| <input type="checkbox"/> Cannot meet packaging requirements                           | <input type="checkbox"/> Agreements with distributors/dealers do not permit us to sell directly. |
| <input type="checkbox"/> Cannot handle due to present plant loading                   | <input type="checkbox"/> Other reasons or additional comments (please explain below)             |

I / We wish to quote / Quotation on similar goods / services in future <input type="checkbox"/> Yes <input type="checkbox"/> No	Authorized Company Official – Signature and Title	Date
This space for City of Richmond Comments	Firm Name	
	Address	
	City	
	Province <span style="float: right;">Postal Code</span>	
	Telephone Number	



HEAT TOP SURFACE AND EMBED GRANULARS INTO MEMBRANE PRIOR TO ADHESION OF OVERLAPPING PLY AND / OR AS REQUIRED BY MANUFACTURER

STAGGER END LAPS 24" (GRANULAR CAP SHEET SET IN ADHESIVE WITH A 100% BOND)



**NOTE:** HANDLING CRITERIA TO APPLY TO ALL S.B.S. MODIFIED BITUMEN MEMBRANES.

**HANDLING CRITERIA**

ALL ROLLS ARE TO BE UNROLLED AND ALLOWED TO RELAX PRIOR TO INSTALLATION ONTO THE ROOF. TIME REQUIRED FOR RELAXATION IS DEPENDANT UPON WEATHER AND MANUFACTURER. CRITERIA IS FOR A SMOOTH WRINKLE FREE BOND.

**TYPICAL GRANULATED CAP SHEET LAYOUT CRITERIA**

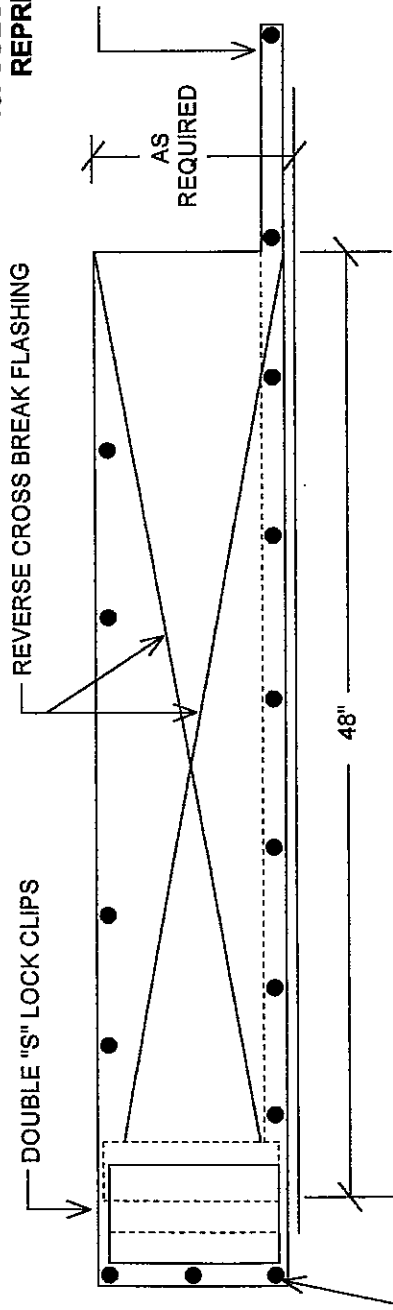
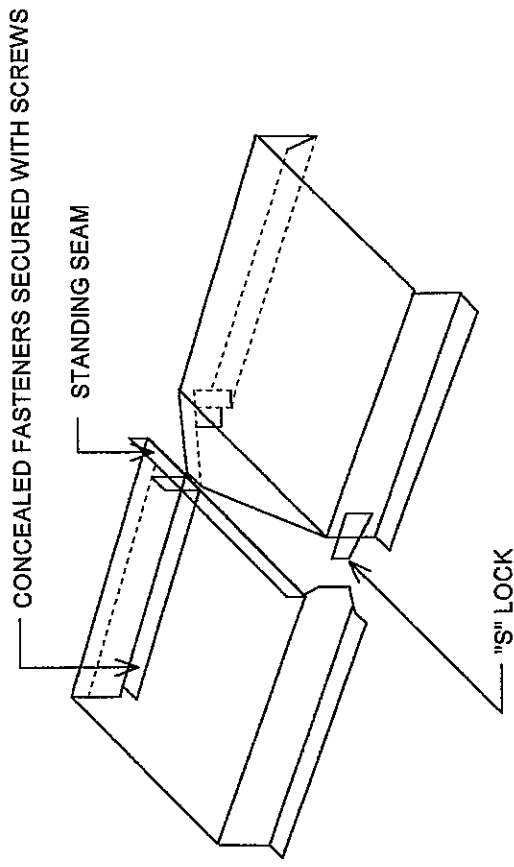
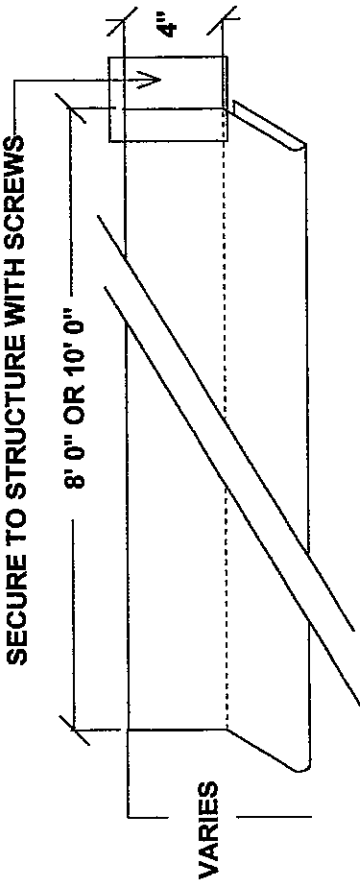
**MINIMUM LAP REQUIREMENTS**

- SIDE LAPS 3"
- END LAPS 6"
- CUT IN AN ANGLE AT CORNERS OF THE MEMBRANE THAT WILL BE COVERED

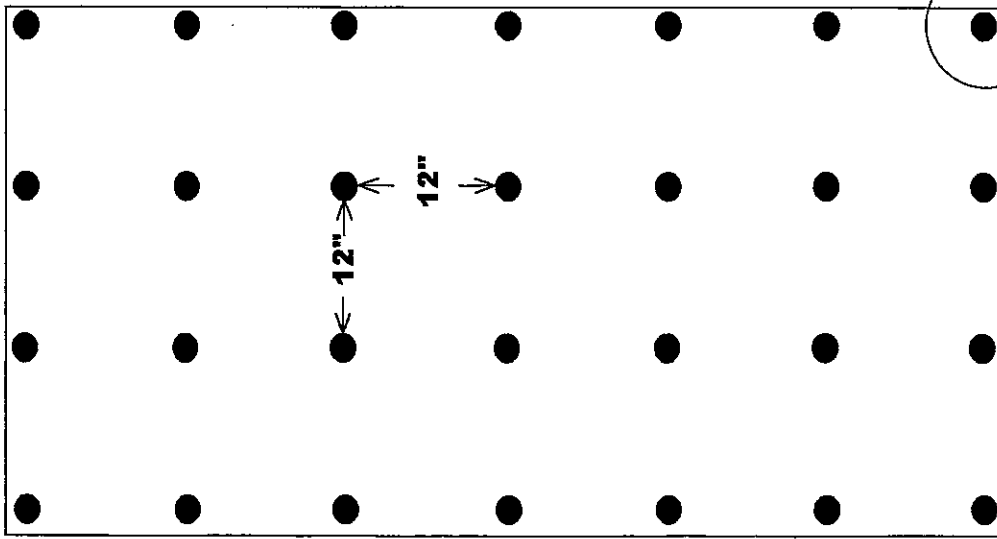
	Job#: 07-026
	Date: MAY / 07
Drawn by: JPJ	
CITY OF RICHMOND	
STEVESTON MARTIAL ARTS CTR	
4251 MONCTON ST., RICHMOND, BC	
ROOF AREAS #1, 2, 3, 4, 5, & #6	
YEAR 2007 RE-ROOF(S)	

**TYPICAL SHEET METAL INSTALLATION CRITERIA**

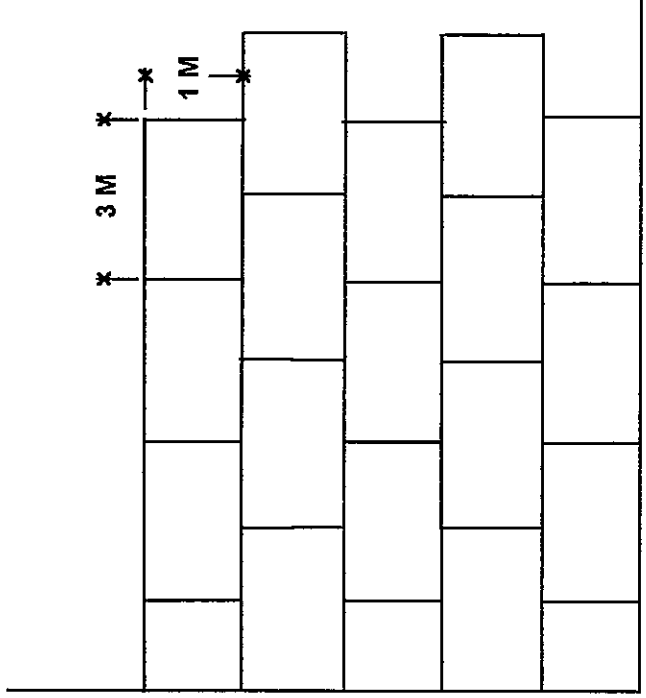
1. ALL METAL SHALL HAVE PROPER ALLOWANCE FOR EXPANSION AND CONTRACTION.
2. NO LAP JOINTS WILL BE PERMITTED.
3. ALL METAL TO BE JOINED BY LOCK CLIPS OR STANDING SEAMS; SEE DETAILS.
4. ALL CAP FLASHINGS TO BE FASTENED WITH 24 GAUGE CLIPS AT 24" CENTERLINES.
5. ALL JOINTS ARE TO BE CAULKED BOTH PRIOR TO AND AFTER CONNECTING.
6. ALL EXPOSED EDGES FLASHING SHALL BE HEMMED TO FORM A DRIP EDGE.
7. ALL METAL TO BE FIRMLY ATTACHED TO THE STRUCTURE WITH COMPATIBLE WOOD SCREWS.
8. NO SHEET METAL IS TO HAVE A FLAT SURFACE.
9. ALL SHEET METAL DETAILS ARE TO BE CONFIRMED BY THE ROOFING CONSULTANT VIA SHOP DRAWINGS PRIOR TO MANUFACTURE.
10. COLOUR TO BE PRE - APPROVED BY OWNERS' REPRESENTATIVE "IN WRITING".



	Job#: 07-026
	Date: MAY / 07
	Drawn by: JPJ
(604) 888-ROOF CONSULTANTS LTD. 2000	
CITY OF RICHMOND STEVESTON MARTIAL ARTS CTR 4251 MONCTON ST., RICHMOND, BC ROOF AREAS #1, 2, 3, 4, 5, & #6 YEAR 2007 RE-ROOF(S)	



NAILING PATTERN PER  
1 M X 3 M PERMABOARD

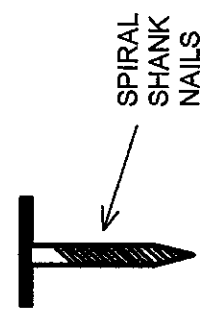


**TYPICAL:**

PERMABOARD APPLICATION ALL JOINTS STAGGERED,  
AND ALL JOINTS & PENETRATIONS TAPED.

**PERMABOARD OR EQUAL APPLICATION  
&  
NAILING PATTERN**

**1" HEAD**



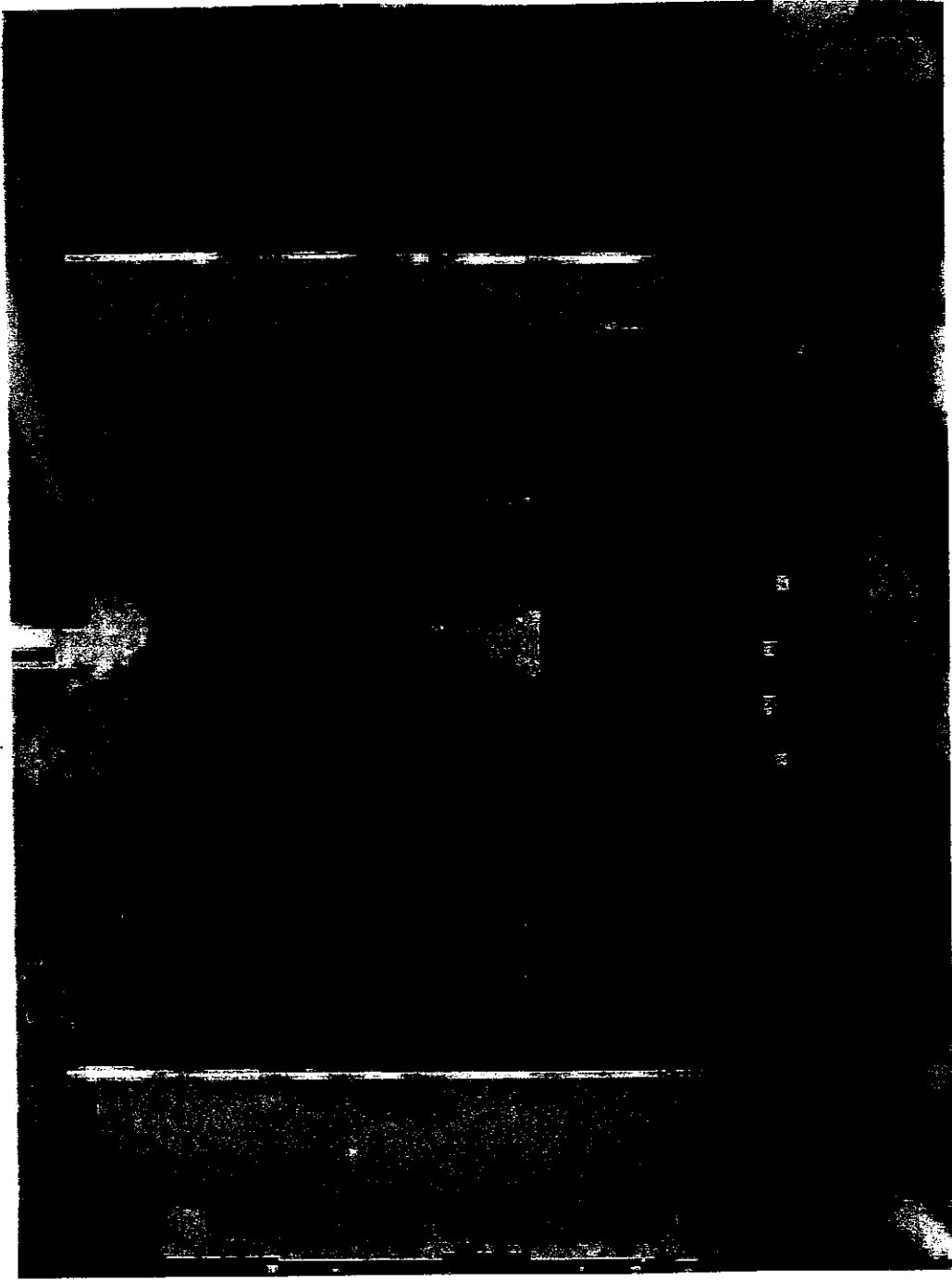
NAIL 1" FROM  
PERIMETERS

PERMABOARD

This drawing is the property of Roof Tech 2000 Consultants Ltd. It may not be reproduced without consent.

NOT TO SCALE: Existing measurements & profiles NOT for Tender purposes. Contractor to confirm all site data.

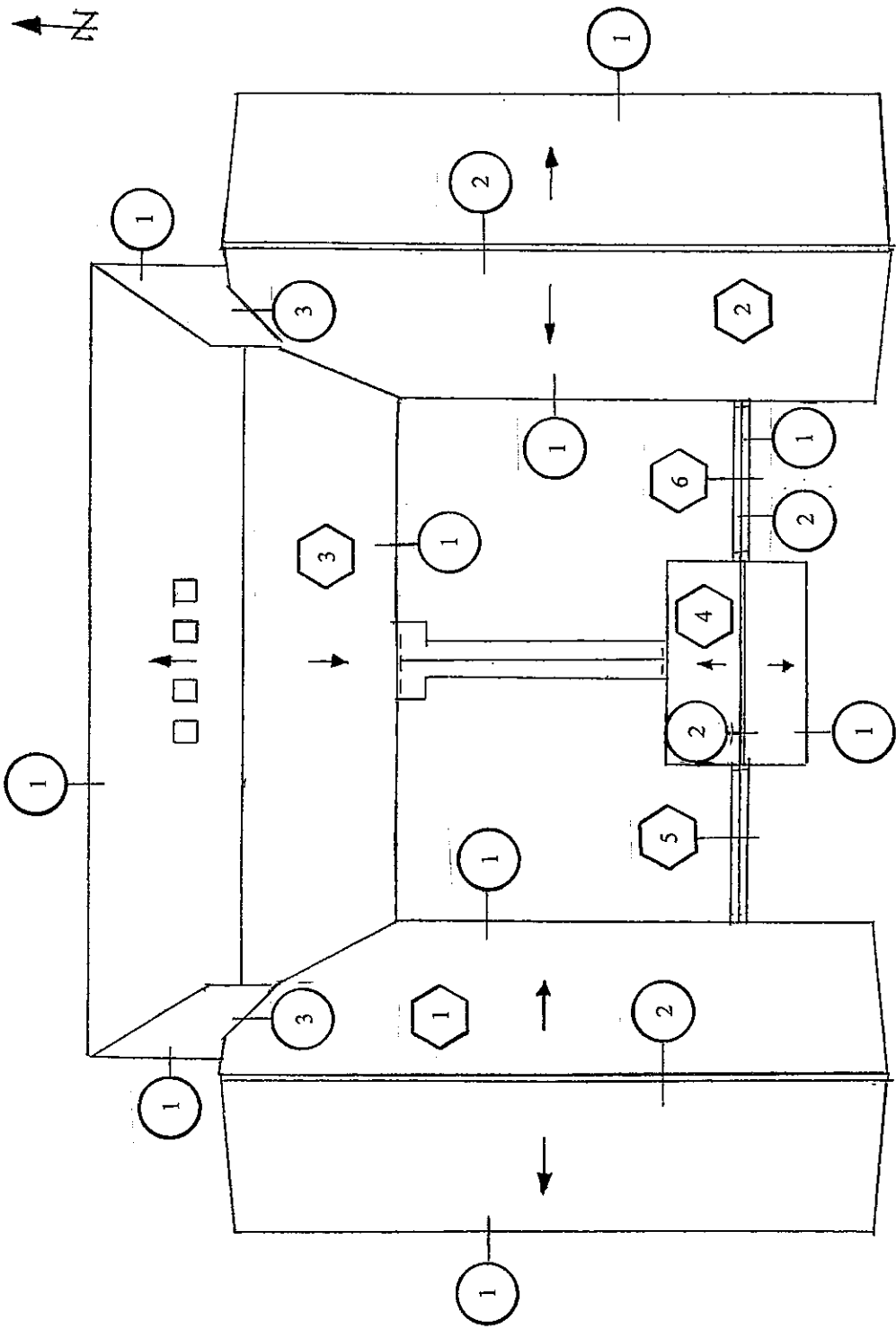
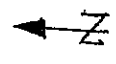
	Job#: 07-026
	Date: MAY / 07
Drawn by: JPJ	
CITY OF RICHMOND STEVESTON MARTIAL ARTS CTR 4251 MONCTON ST., RICHMOND, BC ROOF AREAS #1, 2, 3, 4, 5, & #6 YEAR 2007 RE-ROOF(S)	



(604) 888-ROOF CONSULTANTS LTD. <b>ROOFTECH</b> INDEPENDANT CONSULTANTS & INSPECTOR	Job#: 07-026 Date: MAY / 07 Drawn by: N/A
CITY OF RICHMOND STEVESTON MARTIAL ARTS CTR 4251 MONCTON ST., RICHMOND, BC ROOF AREAS #1, 2, 3, 4, 5, & #6 YEAR 2007 RE-ROOF(S)	

**LEGEND**

- Roof Area
- Roof Slope
- ⊕ Roof Drain
- Plumbing Stack
- ≡ Scupper/Overflow
- ⊗ B-Vent
- ⊞ Fan Curb
- ⊞ Air Handling Unit
- ⊞ Hatch
- ⊞ Skylite
- ⊞ Chimney
- Curb
- Exhaust Ventilator
- ⊞ Ladder
- Sleeper
- Gum Pan
- Photo #
- + Detail #
- ⊞ Ponding
- \* Leak
- Gas Line/Conduit
- ⊞ Exp. Joint
- ⊞ Guy Wire/Anchor
- ⊞ Turbine Vent

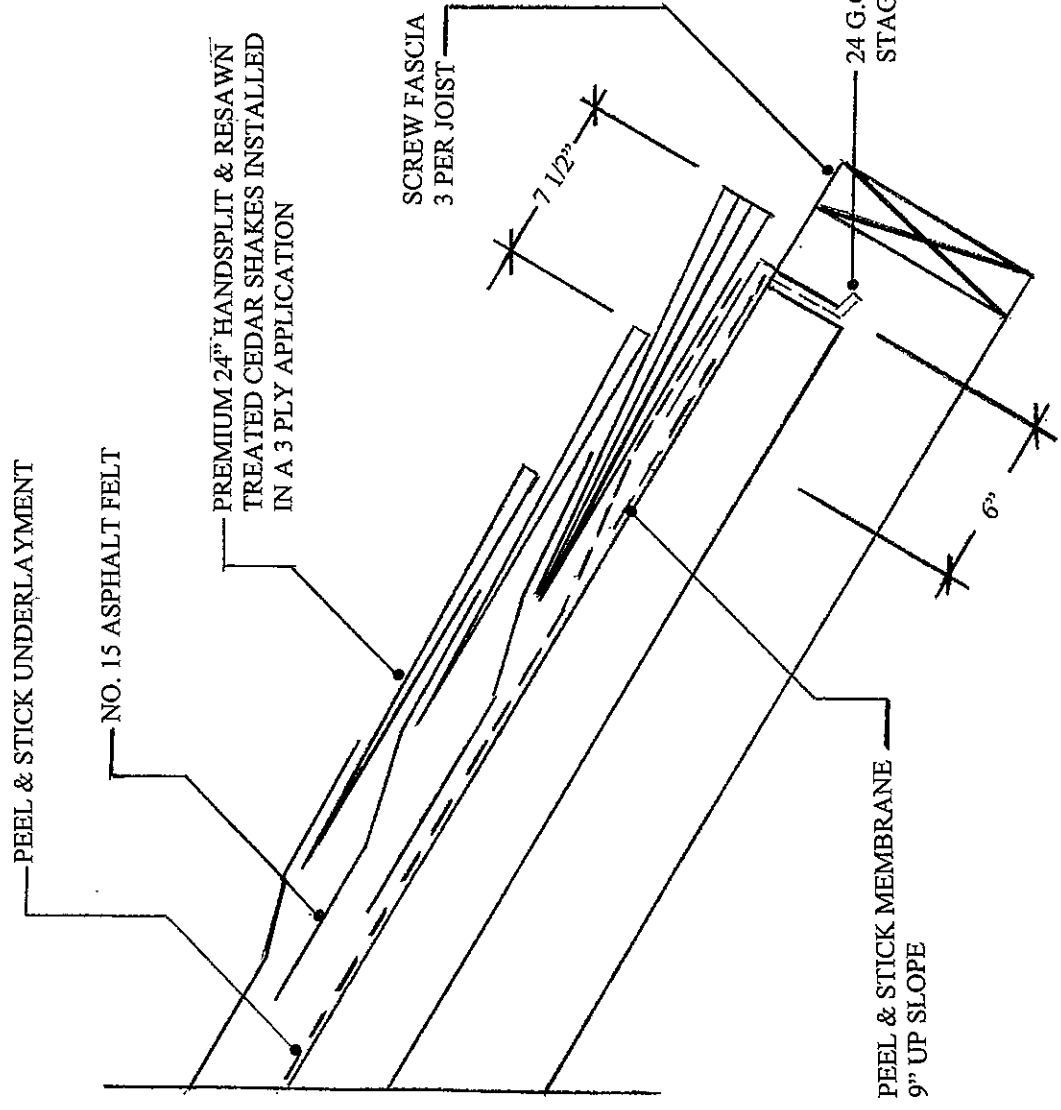


(604) 888-ROOF  
CONSULTANTS LTD.  
**ROOFTECH**  
INDEPENDANT CONSULTANTS & INSPECTORS

Job#: 07-026  
Date: MAY / 07  
Drawn by: JPJ

CITY OF RICHMOND  
STEVESTON MARTIAL ARTS CTR  
4251 MONCTON ST., RICHMOND, BC  
ROOF AREAS #1, 2, 3, 4, 5, & #6  
YEAR 2007 RE-ROOF(S)

NOTE: PROVIDE A SEPARATE PRICE ON THE TENDER FORM TO INSTALL NEW FASCIA BOARDS AT ALL EAVES

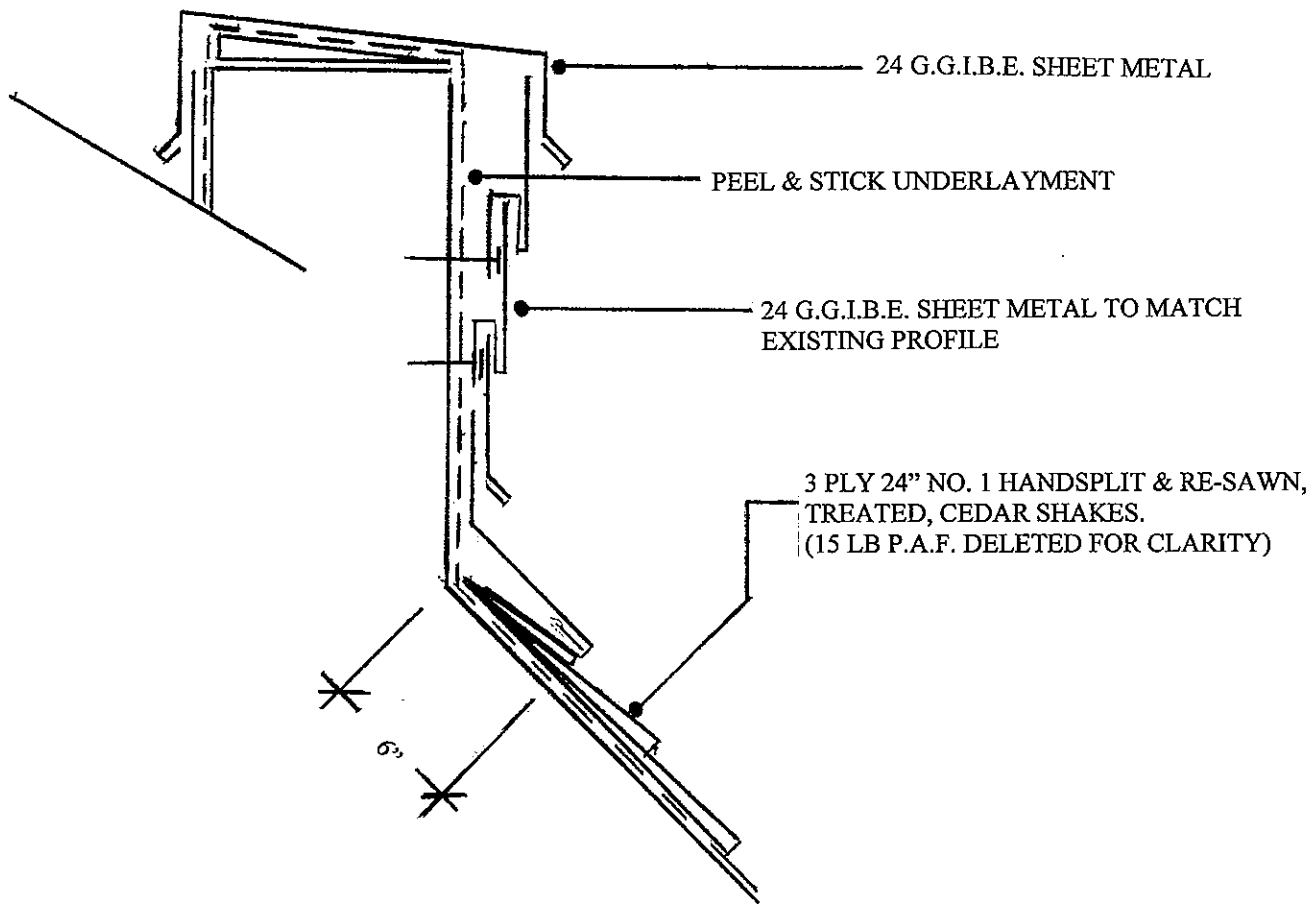


**DETAIL # 1**  
EAVE

(604) 888-ROOF CONSULTANTS LTD.  
**ROOFTECH**  
 INDEPENDANT CONSULTANTS & INSPECTORS

Job#: 07-026  
 Date: MAY / 07  
 Drawn by: JPJ

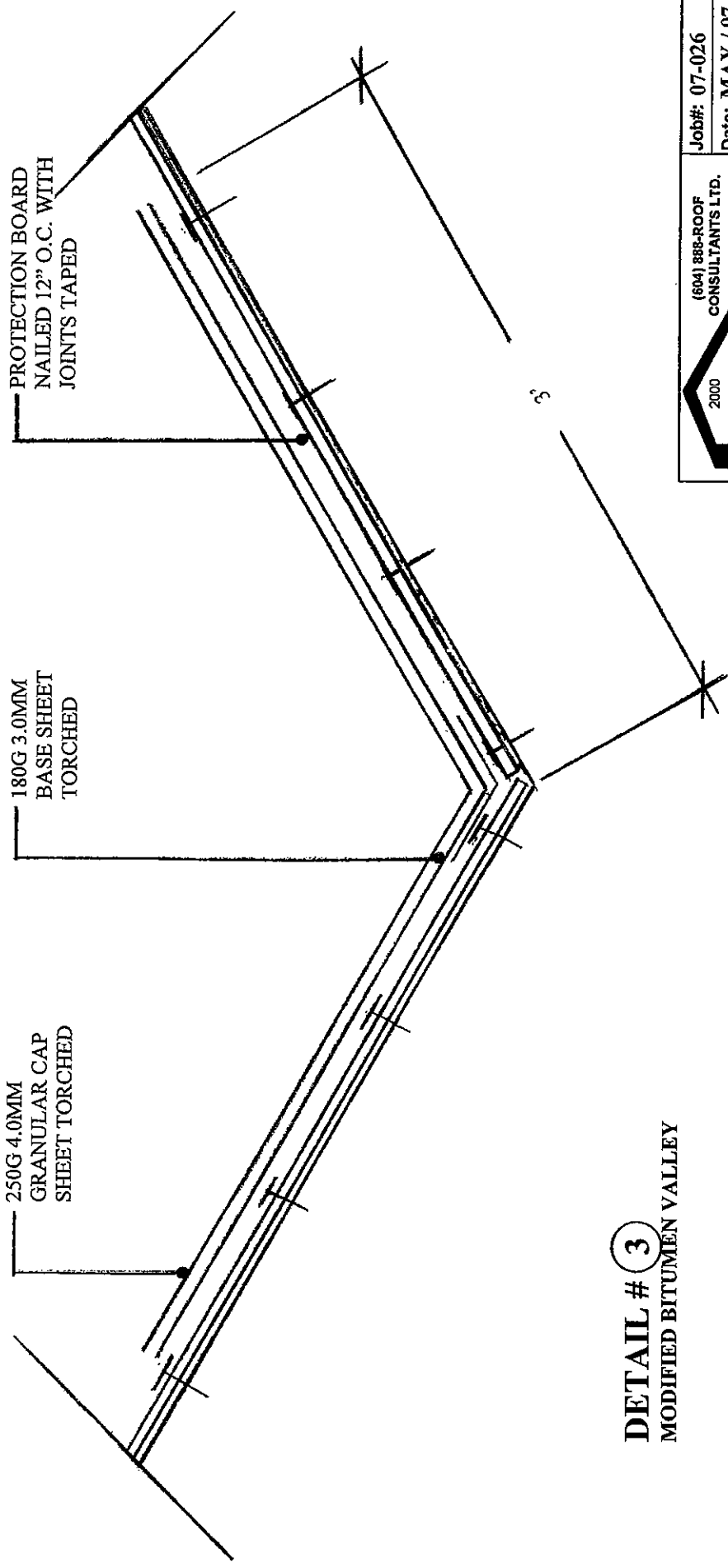
CITY OF RICHMOND  
 STEVESTON MARTIAL ARTS CTR  
 4251 MONCTON ST., RICHMOND, BC  
 ROOF AREAS #1, 2, 3, 4, 5, & #6  
 YEAR 2007 RE-ROOF(S)



**DETAIL # 2**  
RIDGE

	(604) 888-ROOF CONSULTANTS LTD.	Job#: 07-026
		Date: MAY / 07
		Drawn by: JPJ

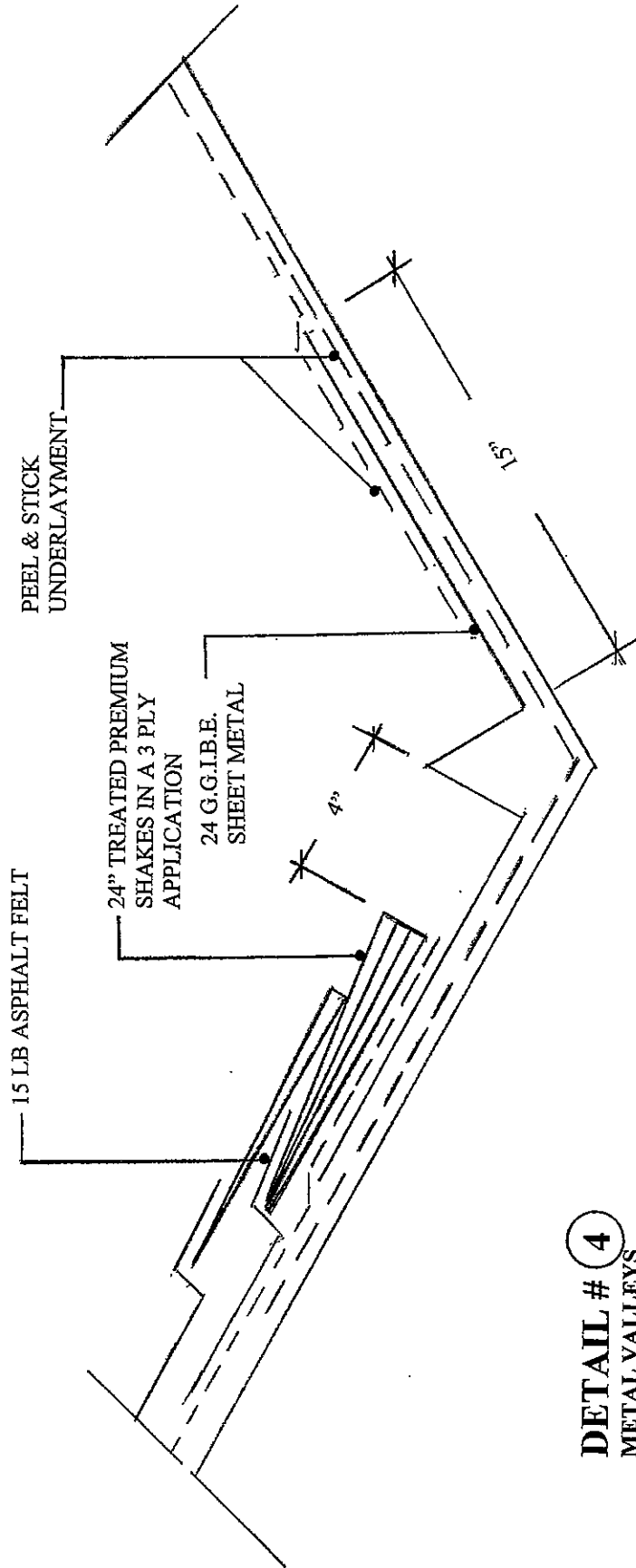
CITY OF RICHMOND  
 STEVESTON MARTIAL ARTS CTR  
 4251 MONCTON ST., RICHMOND, BC  
 ROOF AREAS #1, 2, 3, 4, 5, & #6  
 YEAR 2007 RE-ROOF(S)



**DETAIL # 3**  
**MODIFIED BITUMEN VALLEY**

	Job#: 07-026
	Date: MAY / 07
	Drawn by: JPJ
CITY OF RICHMOND STEVESTON MARTIAL ARTS CTR 4251 MONCTON ST., RICHMOND, BC ROOF AREAS #1, 2, 3, 4, 5, & #6 YEAR 2007 RE-ROOF(S)	





**DETAIL # 4**  
**METAL VALLEYS**

(604) 888-ROOF CONSULTANTS LTD.  
**ROOFTECH**  
 INDEPENDANT CONSULTANTS & INSPECTORS

Job#: 07-026  
 Date: MAY / 07  
 Drawn by: JPJ

CITY OF RICHMOND  
 STEVESTON MARTIAL ARTS CTR  
 4251 MONCTON ST., RICHMOND, BC  
 ROOF AREAS #1, 2, 3, 4, 5, & #6  
 YEAR 2007 RE-ROOF(S)

June 4, 2007  
File: 02-0775-50-3058/Vol 01

**Business & Financial Services Department**  
**Finance Division**  
Telephone: 604-276-4218  
Fax: 604-276-4162

To Those Parties Receiving City of Richmond Contract  
3058Q - Roof Rehabilitation - Steveston Martial Arts

Dear Sir/Madame:

**Re: Addendum #1**

Please be advised that two drawings have been added to the requirements of this quotation:

- Drawing: Permaboard , page S38
- Drawing: Permaboard, Installation Criteria, page S37

Yours truly,

Sheryl Hrynyk  
*Acting Supervisor*

SAH:sah

June 15, 2007  
File: 02-0775-50-3058/Vol 01

**Business & Financial Services Department**  
**Finance Division**  
Telephone: 604-276-4218  
Fax: 604-276-4162

To Those Parties Receiving City of Richmond Contract  
3058Q - Roof Rehabilitation - Steveston Martial Arts

Dear Sir/Madame:

**Re: Addendum #2**

- Please be advised that the quotation closing date has been extended to Friday, June 22, 2007, noon, local time.

Yours truly,

Sheryl Hrynyk  
*Acting Supervisor*

SAH:sah