



Business & Financial Services Department
Telephone: 604-276-4097
Fax: 604-276-4162

March 26, 2010
File: 02-0775-50-3896/Vol 01

Dear Sir/ Madame,

Re: Addendum #2 3896Q Supply and Installation of Ice-Rink Dasherboard System

The following change is hereby made a part of the Request for Quote Documents as fully and wholly as if the same were fully set for the therein:

1. The specs call for us to provide goal lights – these are typically provided by others?

Answer: The City would like goal lights with power to score keepers boxes to be included as part of the bid submission.

2. The specs reads 1.1.A.2. ...no anchors are to be used on the non refrigerated slab for the players boxes.” Should that read ...new anchors?

Answer: The City does not want to use any anchors for the back and sides of the player’s boxes on the north side of North rink and south side of South rink.

3. On gates sizes it reads players gates are to be 762mm I would suggest adding a note that all gates for sledge hockey players and penalty boxes should be 914mm. The hand drawn layout needs some clarification.

Answer: Please add the following, Page 17 Part 2 - Products: 2.3.E.2 All gates for Sledge Hockey Player’s and penalty boxes shall be 914 mm.

4. It notes “movable section or gates” for the large 12’ opening to pass from one rink to the next. A movable section is much less functional and also less expensive to build so I am concerned some of the other bidders may choose this option to reduce their bid cost.

Answer: These shall be gates and not movable sections.

5. The access gate for the speed skating pads is noted at 1.5m. Do you want this in a single gate or as a double gate. We would suggest a single gate would work fine.

Answer: Single gate will be fine at 914 mm.

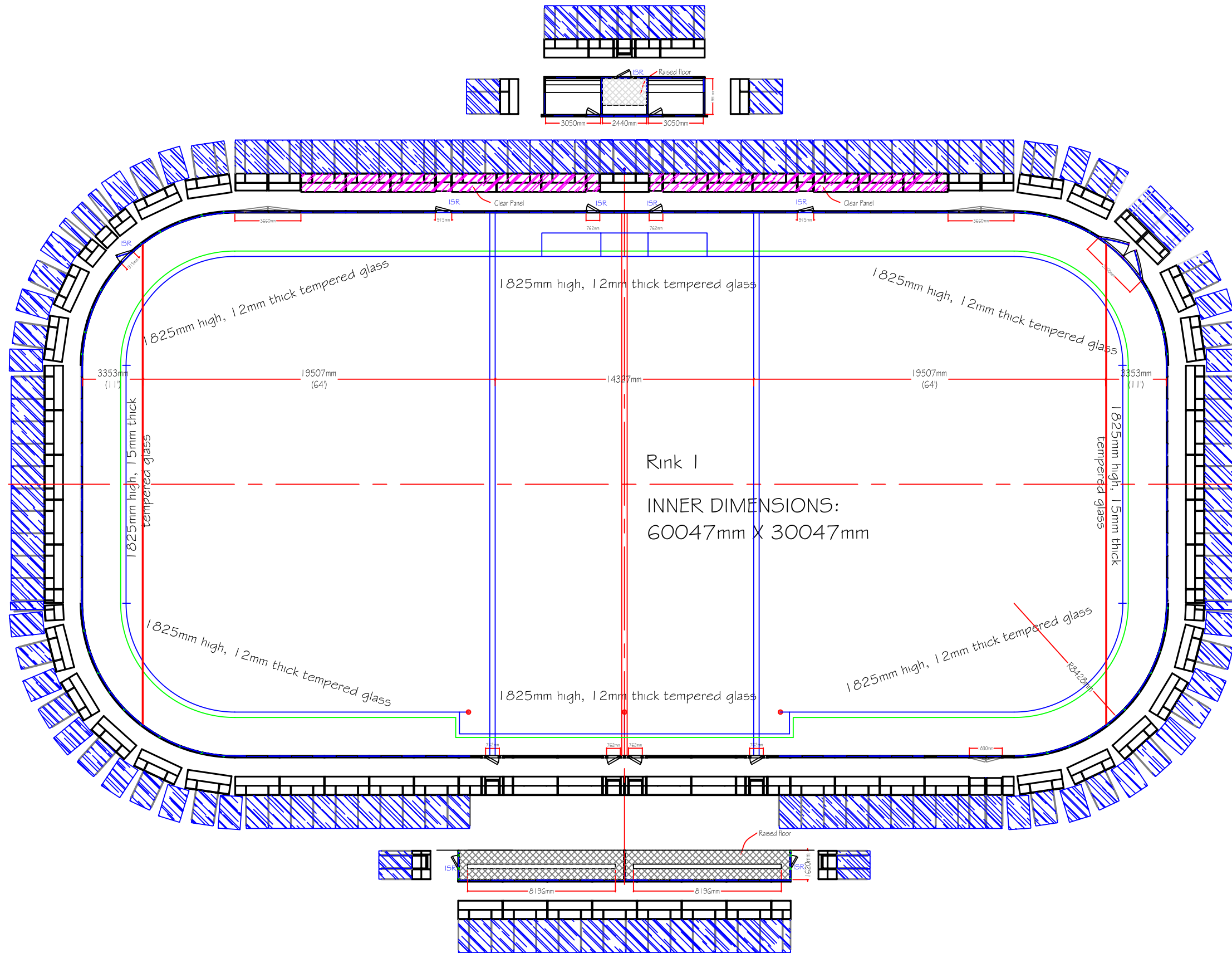
6. You show a double public access gate on only one rink and there is no size noted. We would suggest it be a double gate that is 1828mm wide.
7. There are two players access gates shown, they are drawn as double gates and without measurements. We would suggest 912mm wide single access gates.
8. On the "Dasher Board Plan" the depths of the combination penalty boxes are shown at 1500mm this is typical to a standard able bodied penalty box but since you want to have a combined use of this box and you would probably want to have raised area in the back of the box to allow the able bodied players and off ice officials to get off the ice surface. We had talked about making these boxes slightly deeper to 1620mm (inside to inside on the box)
9. None of your drawings show the access gates into the sledge hockey players boxes.
10. None of your drawings show the extent of the 12mm clear polycarbonate panels

Answer: Please see the attached drawings.

Yours truly,

A handwritten signature in black ink, appearing to read "Sumita", written in a cursive style.

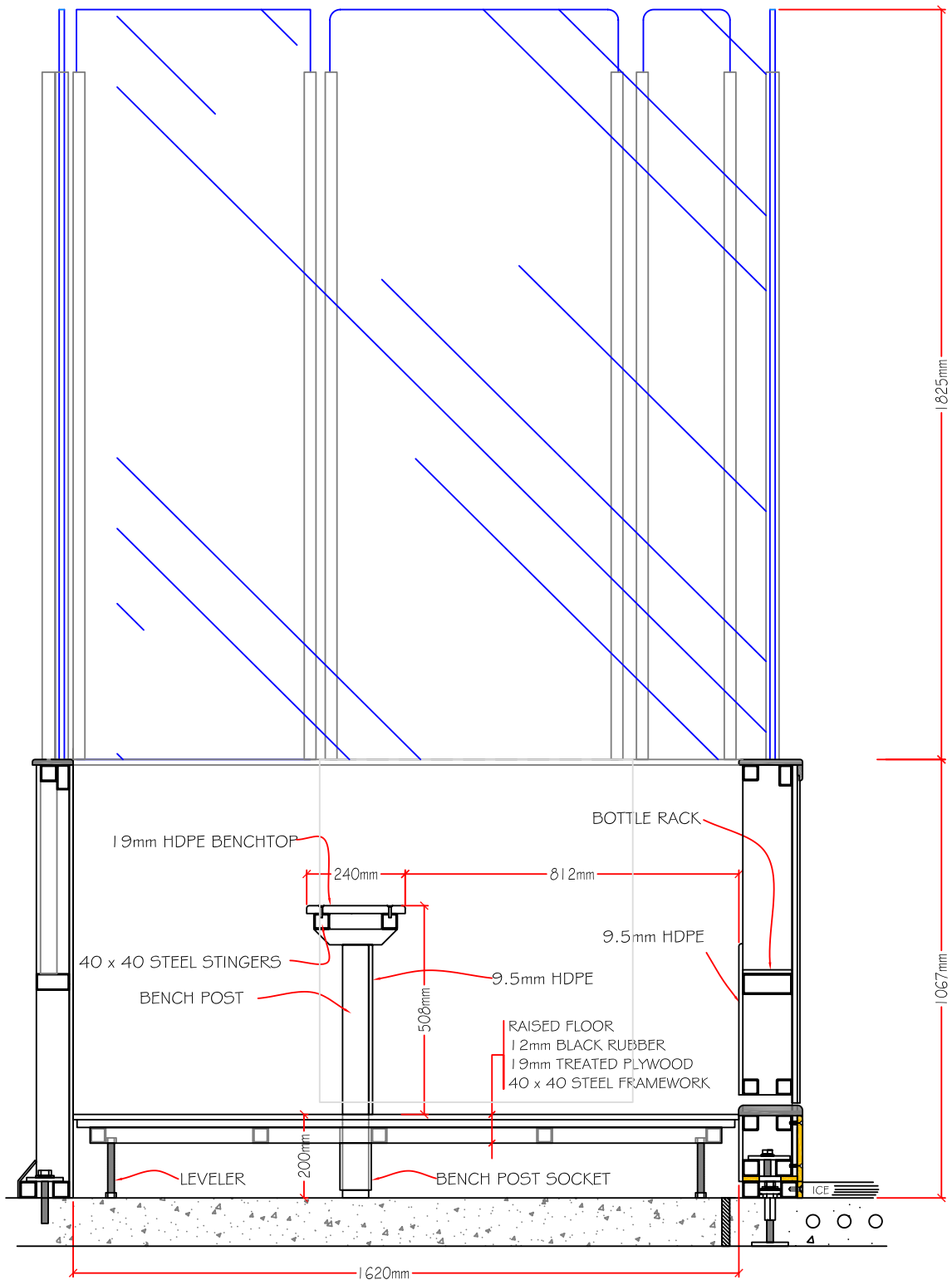
Sumita Dosanjh
Buyer II – Contracting Specialist



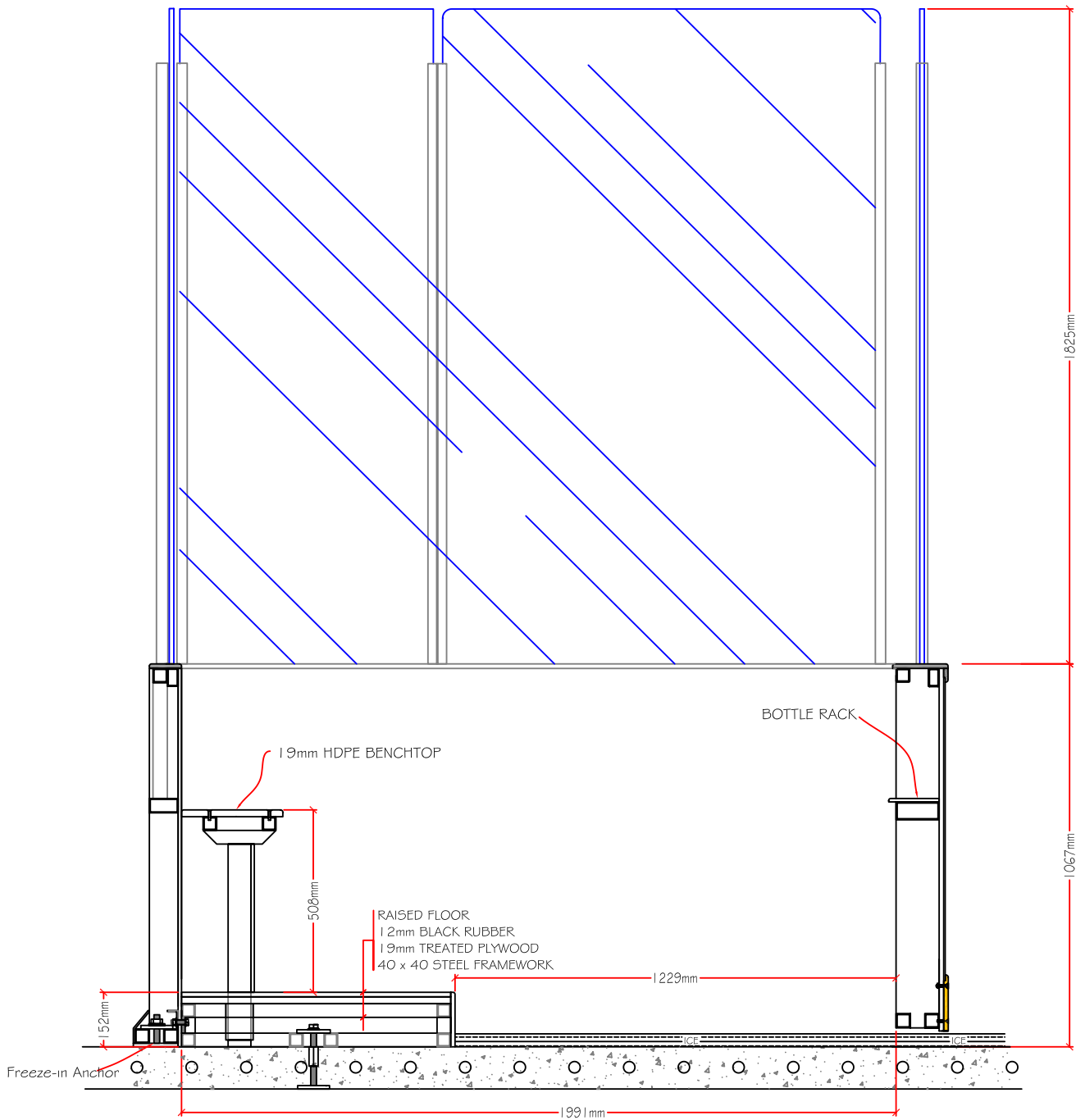
LEGEND

- EXTENT OF TEMPERED GLASS
- EXTENT OF NETTING
- ISR DENOTES GATES EQUIPED WITH PUSH BUTTON RELEASE HARDWARE
- POST PADDING

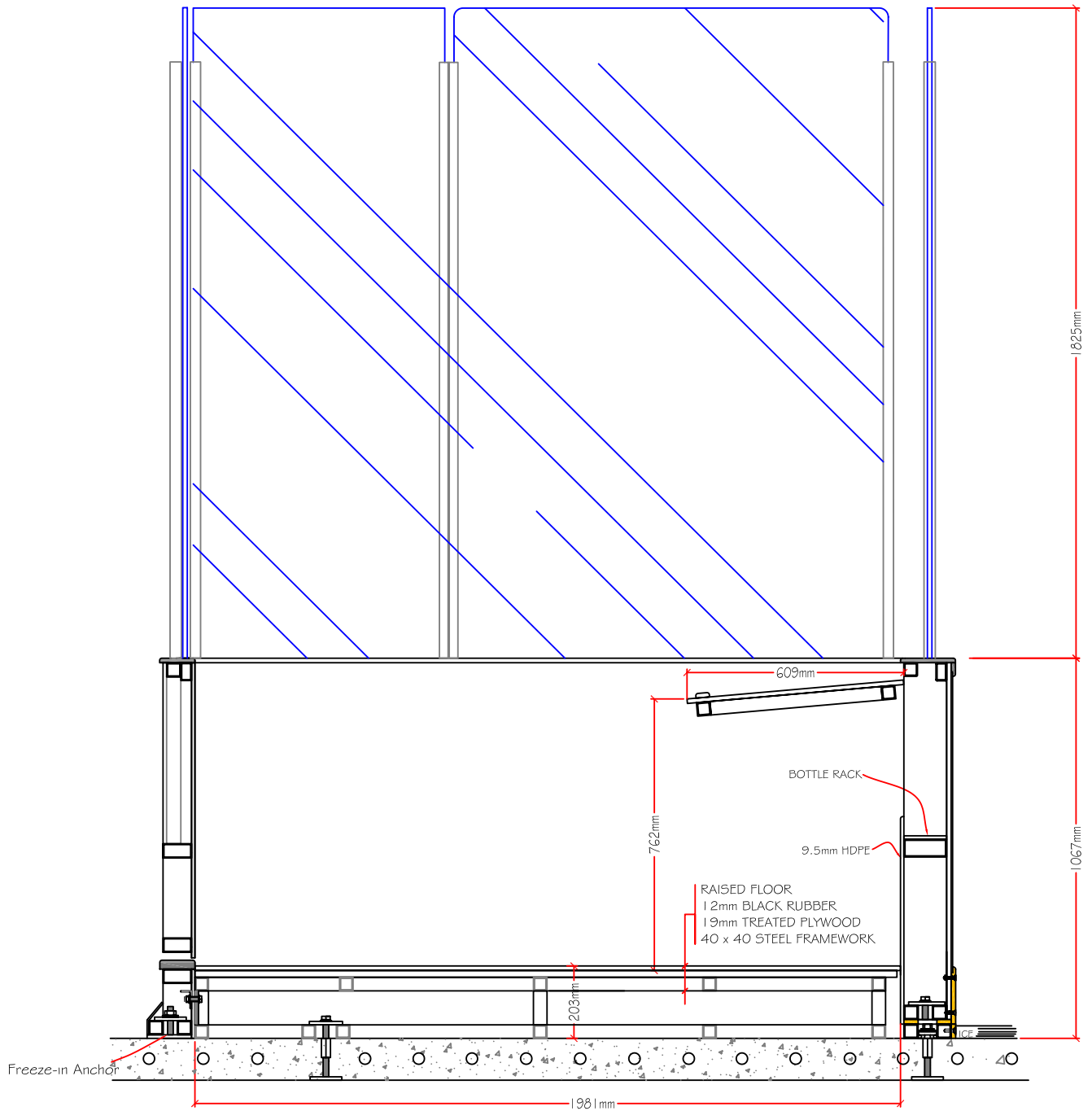
DWG NAME: Rink 1 : Dasherboard Layout		
DWN BY:	SCALE:	
PROJECT: Richmond Oval Arena		
REV.:	DATE: 22MARCH2010	DWG No: 2 OF 7



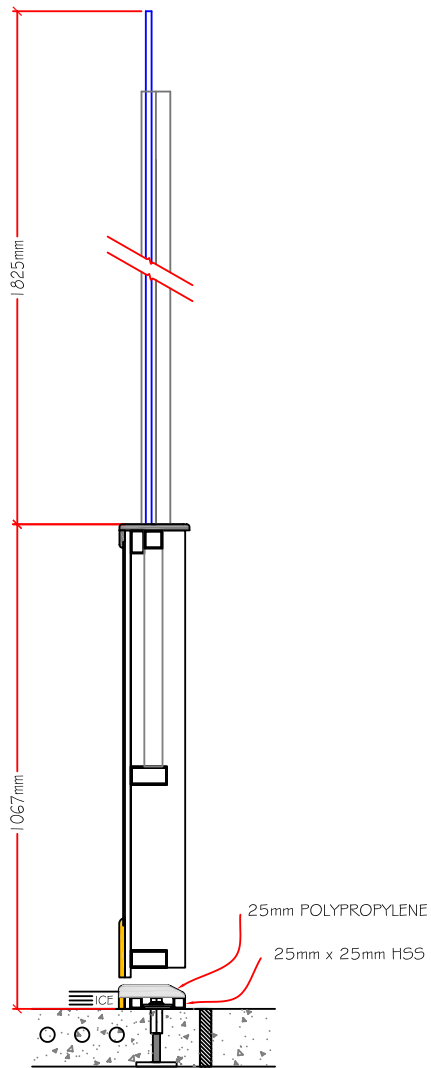
DWG NAME: PLAYERS BOX SECTION	
DWN BY:	SCALE: N.T.S
PROJECT: Richmond Oval Arena	
REV.:	DATE: 22MARCH10 DWG No: 4 of 7



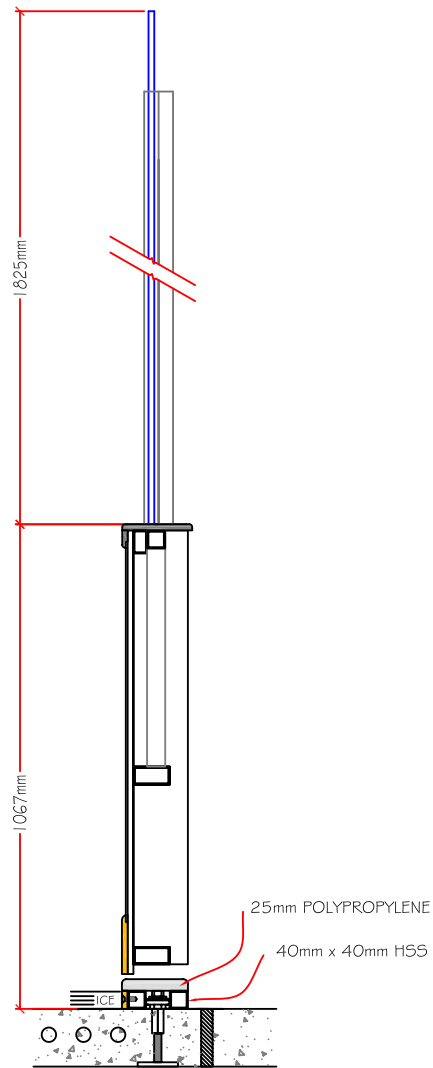
DWG NAME: PENALTY BOX SECTION		
DWN BY:		SCALE: N.T.S
PROJECT: Richmond Oval Arena		
REV.:	DATE: 22MARCH10	DWG No: 5 of 7



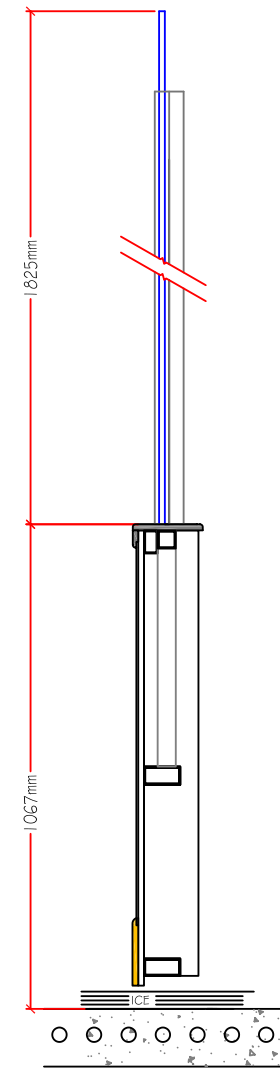
DWG NAME: SCOREKEEPERS BOX SECTION		
DWN BY:	SCALE: N.T.S	
PROJECT: Richmond Oval Arena		
REV.:	DATE: 22MARCH10	DWG No: 6 of 7



ZAM Gate



1830mm ϕ 1500mm ϕ 915mm Curved Gates
1830mm Straight Gate



3660mm ϕ 915mm Straight Gates

DWG NAME: GATE SECTIONS		
DWN BY:	SCALE: N.T.S.	
PROJECT: Richmond Oval Arena		
REV.: -	DATE: 22MARCH10	DWG No: 7 OF 7